

# Albeo® Industrial Fixtures

Ideal for Demand Environments

Low Bay & High Bay Options

## Albeo® LED Luminaire- ALR2

[Learn More](#)

The Albeo® ALR2 series LED luminaire is an efficient alternative to traditional fluorescent in a variety of NSF rated industrial lighting applications. Designed to meet recommended luminance and illuminance requirements for low bay and task level lighting as well as food processing lighting applications.

- Available in 4' and 8' lengths
- Daylight and motion sensors available
- Market leading efficiency (165 LPW)
- Up to 5000K color temperatures
- CRI: 80+ and 90+
- Up to 16,000 lumens
- Daintree Wireless Controls
- Lifetime: 100,000 hours (L70)

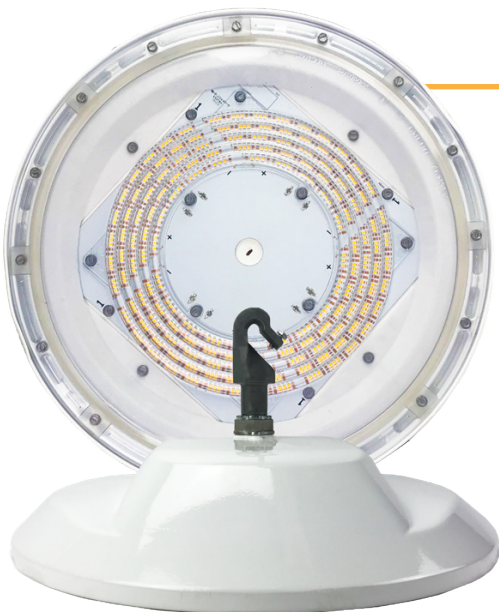


## Albeo® LED Luminaire- ABN1

[Learn More](#)

The Albeo® ABN1 LED luminaire is a versatile NSF rated fixture capable of 9,000-28,000 lumens with excellent color rendering. Ideal for high and low bay applications in food packaging and clean facilities.

- Easy to clean
- Full Mounting type offering
- Market leading efficiency (165 LPW)
- Light weight (16lbs)
- Up to 28,000 lumens
- Distributions: 120°, 90°, or 60° clear and 120° diffused lens options
- Lifetime: 100,000 hours (L70) min. @ 55° C
- CRI: 80 - 90
- Up to 5000K color temperatures



# Understanding NSF

## Zonal Definitions

In order to achieve NSF (National Sanitation Foundation) Certification, Currents fixture and manufacturing facility developing the fixture, had to must pass a series of complex requirements provided by the FDA & USDA.

In general Lighting equipment falls under the Special Equipment/Devices, NSF C-2 listing procedure. This C-2 procedure requires a thorough analysis of the physical design, the distinct properties used by the manufacturer and production of the fixture.

Lastly, NSF also investigates the dependability of the manufacturer and its assembly process as it pertains to the listed fixture. Below are 3 certifiable zones in food processing applications, the first two of which apply to lighting fixtures: **NON-FOOD ZONE, SPLASH ZONE and FOOD ZONE.**

NSF Certificaion	Location Descriptions	Typical Lighting Applications
<b>NON- FOOD ZONE</b>	<b>Exposure:</b> <ul style="list-style-type: none"><li>• No direct contact with food products</li><li>• Cleaning solvents</li></ul> <b>Design considerations:</b> <ul style="list-style-type: none"><li>• Resistance to cleaning solvents (on lens, housing, etc.)</li><li>• Glass breakage (prevent contaminating food products).</li></ul>	<ul style="list-style-type: none"><li>• Kitchens</li><li>• Food Storage</li><li>• Dry process areas</li><li>• Damp process areas - no drip possibility</li></ul>
<b>SPLASH ZONE</b>	<b>Exposure:</b> <ul style="list-style-type: none"><li>• No direct contact with food products</li><li>• High-pressure wash-downs</li></ul> <b>Design considerations:</b> <ul style="list-style-type: none"><li>• Durable and water-shedding</li><li>• Resistance to harsh cleaning solvents</li><li>• Glass breakage (prevent contaminating food products).</li></ul>	<ul style="list-style-type: none"><li>• Wet or damp process areas</li><li>• High pressure purging or decontamination used</li><li>• Areas using hose -washdown</li></ul>
<b>FOOD ZONE</b>	<b>Exposure:</b> <ul style="list-style-type: none"><li>• Direct contact with food products</li><li>• Full sanitation required</li></ul>	<b>Category not typically used for lighting</b>

Contact us today. We'll help you find the perfect answers to your lighting needs.



To learn more, scan the QR code or click the button below.

[Learn More](#)

**GE current**  
a Daintree company

[www.gecurrent.com](http://www.gecurrent.com)

© 2021 Current Lighting Solutions, LLC. All rights reserved. GE and the GE monogram are trademarks of the General Electric Company and are used under license. Information provided is subject to change without notice. All values are design or typical values when measured under laboratory conditions.

ALB074 (Rev 03/25/21)



## ALR2 Series

### Linear Industrial Lighting

The **Albeo® ALR2** series LED luminaire is an efficient alternative to traditional fluorescent in a variety of commercial and industrial lighting applications. The ALR2 expands the linear product offering to include IP65, IP66 and IP67 rated fixtures for demanding industrial environments. The new ALR2 features 316 L grade stainless steel latches. ALR2 LED fixture can be matched with motion, daylight and wireless controls for increased energy savings. Designed to meet recommended luminance and illuminance requirements for low bay and task level lighting as well as parking garage, stairwell & general lighting applications.

### Construction

<b>Housing:</b>	Fiberglass & steel
<b>Lens:</b>	Acrylic diffused (No glass in housing or lenses)
<b>Paint:</b>	Powder coat painted
<b>Weight:</b>	Up to 19lb (8.62kg)

### Optical System

<b>Lumens:</b>	2000–20000
<b>Distribution:</b>	120° diffused lens & 160° clear lens
<b>Wattage:</b>	100–240W
<b>Efficacy:</b>	Up to 160 LPW
<b>CCT:</b>	3000K, 3500K, 4000K, 5000K
<b>CRI:</b>	80 & 90

### Electrical

<b>Input Voltage:</b>	120–277 V, 347 V, & 480 V
<b>Input Frequency:</b>	50/60Hz
<b>Power Factor (PF)*:</b>	>90%*
<b>Total Harmonic Distortion (THD)*:</b>	<20%*
<b>EMI:</b>	FCC CFR Title 47 Part 15, Class A
<b>Surge Protection:</b>	3kV driver surge protection
<b>LED Driver Type:</b>	Class 2
<b>Output Frequency/ Flicker Rate:</b>	NEMA 77

\* PF and THD may vary with options

### Controls

**Sensors:** High-end trim, occupancy and ambient light detection with dimming available. Wireless Daintree® options available

### Ambient Temperature

TYPE	TEMPERATURE RATE
OPERATING TEMPERATURE	-30°C to +45°C (-22°F to 122°F)
STORAGE TEMPERATURE	-40°C to +70°C

### Lumen Maintenance

LXX(10K) @ Hours 100,000 HR
L70

### Mounting

- **Typical Mounting:** Chain/Cable or Surface mount ready.
- **Optional Mounting:**
  - Rod Mounting
  - 45° Degree Wall Mount
  - Cable Mount Kit
- **Cord & Plugs:** Standard = knockout access (no cord, no plug) 6ft. 18–3 – Cord A, 12ft. 18–3 – Cord B

### Design Life & Warranty

- **Location:** UL 1598 Suitable for Wet Locations
- **Safety:** UL/cUL Listed
- **Ratings:** IP65, IP66, IP67, NEMA 4X NSF Splash Zone & Non Food rated fixture optional
- **IK Rating:** IK06
- EMBB option provides 90min of 2000lm at 5000K
- **Current's Limited 5-year Warranty:** Please refer to ALB048 in Product Downloads section at: <https://products.gecurrent.com>



### CUSTOMER NAME

Project Name \_\_\_\_\_

Date \_\_\_\_\_ Type \_\_\_\_\_

Catalog Number \_\_\_\_\_

## Ordering Information

ALR2

T

Q W

PRODUCT ID	VOLTAGE <sup>1</sup>	FIXTURE LENGTH & BODY	LUMEN OUTPUT	PERFORMANCE LEVEL	CCT/CRI	OPTICS	FIXTURE TYPE	SENSOR/WIRELESS	CONTROL WIRING	EMERGENCY	MOUNTING	CORD	PLUG	FINISH	OPTIONS							
ALR2 = ALR IP67 Linear Series 2 <sup>nd</sup> Gen	0 = 120/277V 1 = 120V 4 = 277V 5 = 480V D = 347V	2T = 2ft. Standard Body	02 = 2,000lm	T = Standard Efficiency	80 Plus CRI 8 = 3000k C8 = 3500k 48 = 4000K 58 = 5000K	1D = 120° Diffused lens WC = Wide Clear 160° Parking Garage Optic	S = Standalone F = NSF Food Rated	Q = None A = Occ Sense On/Off 360° SBOR B = Occ Sense High-Low Dimming 360° SBOR P = Daylight Sense w/ Occupancy On/Off SBOR S = Daylight Sense w/ Occupancy High-Low Dimming SBOR W = Bi-level dimming/ Stairwell setting sensor	Q = None/No External Control Wiring V <sup>4</sup> = 0-10V Control Wires	Q = None E <sup>5</sup> = Battery Backup	ST = Standard 21 = ¾" Threaded Rod Bracket 45 = 45° Wall Mount 51 = Cable/Toggle 5ft. 52 = Cable/Toggle 10ft. 53 = Cable/Toggle 15ft.	K = Knockout A = 6ft. 18ga cord B = 12ft. 18ga cord	Q = None	W = White	Blank = No Special Options 1PK = Single Pack (For distributor stocking. Default is Job (4) Pack not 1 PK)							
			03 = 3,000lm																			
			04 = 4,000lm																			
		4N = 4ft. Narrow Body	03 = 3,000lm													90 Plus CRI 39 = 3000k C9 = 3500k 49 = 4000K 59 = 5000K	Full Featured <sup>2</sup> : 1 = 20' Motion Sensor FSP221 w/daylight & High-Low Dimming 2 = 40' Motion Sensor FSP221 w/daylight & High-Low Dimming	Leave Blank				
			04 = 4,000lm																			
			05 = 5,000lm																			
		4T = 4ft. Standard Body	03 = 3,000lm																Daintree <sup>®</sup> EZ Connect <sup>1</sup> : DF = Occupancy & Ambient Light Sensor w/ Continuous Dimming	Leave Blank		
			04 = 4,000lm																			
			05 = 5,000lm																			
		8T = 8ft. Standard Body	04 = 4,000lm																		Daintree <sup>®</sup> One: FB = Occupancy & Ambient Light Sensor w/ Continuous Dimming	Leave Blank
			06 = 6,000lm																			
			08 = 8,000lm																			
10 = 10,000lm																						
12 = 12,000lm																						
16 = 16,000lm																						
20 = 20,000lm	Daintree <sup>®</sup> Networked: NA = Occupancy & Ambient Light Sensor w/ Continuous Dimming (full feature) TQ <sup>3</sup> = Wireless Daintree <sup>®</sup> Enabled (no sensor)	Leave Blank																				

80 CRI @ 5000K CCT						
FIXTURE LENGTH	OUTPUT LEVEL	TYPICAL DELIVERED LUMENS	TYPICAL POWER		TYPICAL LPW 120-277V	MAX AMBIENT TEMP (°C)
			120-277V	347-480V		
2 ft.	2,000	1,900	14	16	136	45°C
	3,000	2,900	21	23	138	
	4,000	3,700	28	30	132	
4 ft.	3,000	3,100	20	22	155	45°C
	4,000	4,100	27	29	152	
	5,000	5,100	34	36	150	
	6,000	6,100	42	44	145	
	8,000	8,100	59	65	137	
	10,000	10,000	79	88	127	
8ft.	4,000	4,100	25	28	164	45°C
	6,000	6,100	38	40	161	
	8,000	8,100	52	57	154	
	10,000	10,100	67	73	151	
	12,000	12,100	82	91	148	
	16,000	16,100	118	129	136	
20,000	20,000	158	174	127	40°C	

CRI	CCT	OUTPUT
80CRI	5000K	100%
	4000K	98%
	3500K	97%
90CRI	3000K	93%
	5000K	89%
	4000K	85%
	3500K	83%
	3000K	81%

OPTIC CODE	OPTIC DESCRIPTION	OUTPUT
1D	120° Diffused Lens	100%
WC	Wide3 Clear 160° Parking Garage Optic	94%

### ORDERING NOTES:

- Specify single voltage if plug, sensor, or wireless needed.
- Requires remote to modify default settings sold separately.
- Sensors are not available in 480V and NSF food rated fixtures. For special requests, contact manufacturer.
- V Option not available with dimming and ZigBee sensors.
- Battery Backup not available with 2T, 4N, AND 347/480V options.



## Mounting and Accessory Options

MOUNTING/ACCESSORY OPTIONS	IMAGE	ORDER LOGIC CODE	DIMENSIONS/NOTES
<p><b>Standard Chain/Cable Mount</b> Available on all fixture configurations. <i>(Chain not included.)</i></p>		ST = Standard	<p><b>STANDARD SKU:</b> 93118276 <b>NARROW SKU:</b> 93118277 <b>Description:</b> Standard Cable, Chain &amp; Surface Mounting Kit <i>(Includes brackets only.)</i></p>
<p><b>Surface Mount (optional)</b> Available with all fixture configurations. Standard mounting option is surface mount ready.</p>		ST = Standard	
<p><b>Rod Mount Kit (optional)</b> Available with all fixture configurations. Attaches to 3/8" threaded rod. Pendant mount included. <i>(Rod and nuts not included.)</i></p>		21 = 3/8" Threaded Rod Bracket	<p><b>STANDARD SKU:</b> 93118092 <b>NARROW SKU:</b> 93118146 <b>Description:</b> SRod Mounting Kit <i>(Includes brackets only.)</i></p>
<p><b>45° Degree Wall Mount (optional)</b> Available on 2T, 4T &amp; 8T configurations. <i>(Hardware not included.)</i></p>		45 = 45° Wall Mount	<p><b>STANDARD SKU:</b> 93118091 <b>Description:</b> 45 Degree Mounting Kit <i>(Includes Brackets only.)</i></p>
<p><b>Cable Mount Kit (optional)</b> Available with all fixture configurations. Cables and attachments included with kit.</p>		<p>51 = Cable/Toggle 5 ft. 52 = Cable/Toggle 10 ft. 53 = Cable/Toggle 15 ft.</p>	<p><b>STANDARD SKUS:</b> 51 Cable/Toggle: 93118093 52 Cable/Toggle: 93118094 53 Cable/Toggle: 93118095</p> <p><b>NARROW SKUS:</b> 51 Cable/Toggle: 93118147 52 Cable/Toggle: 93118148 53 Cable/Toggle: 93118149</p> <p><b>Description:</b> Cable Mounting Kit <i>(Includes brackets, cables and attachment piece)</i></p>

See "Installation Instructions" for mounting details.

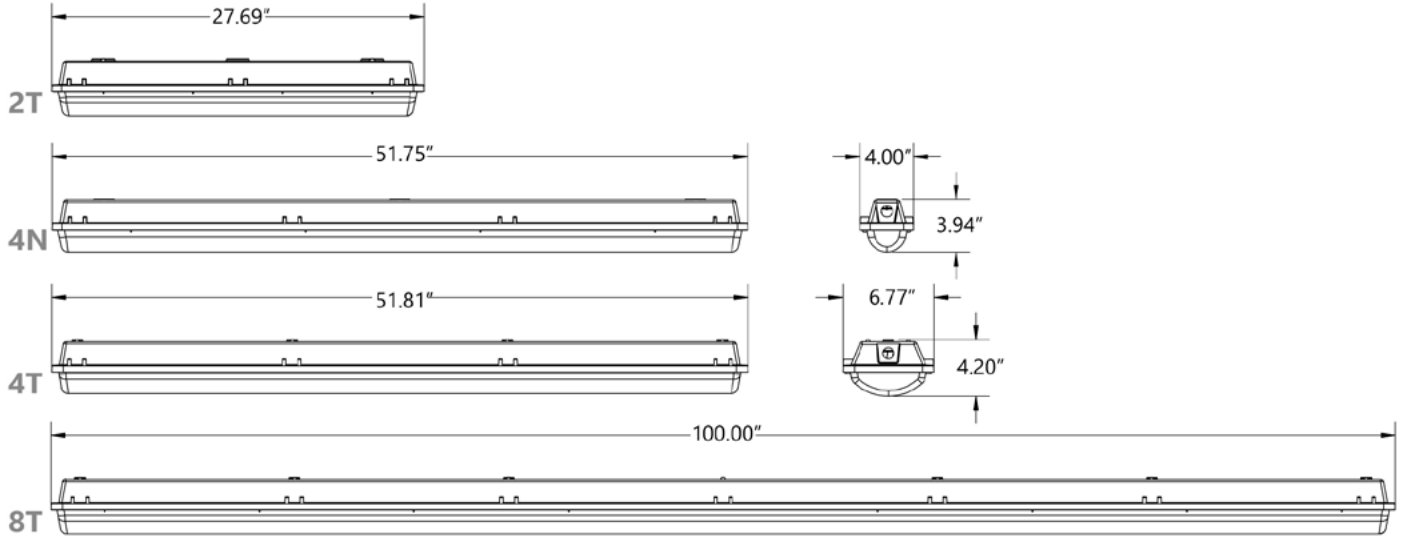
CUSTOMER NAME

Project Name \_\_\_\_\_

Date \_\_\_\_\_ Type \_\_\_\_\_

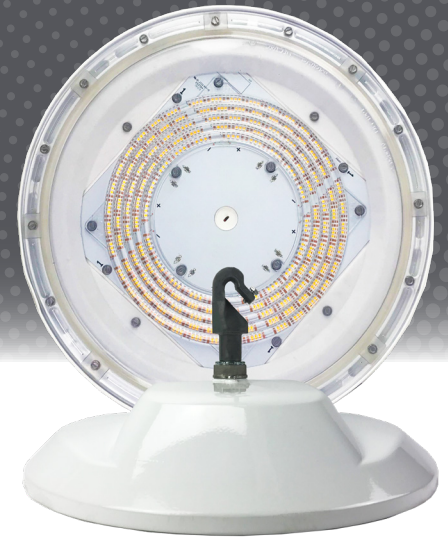
Catalog Number \_\_\_\_\_

Product Dimensions



# PRODUCT SPOTLIGHT

## Albeo® LED Luminaire ABN1 Series



Available Now



Ideal for Food Processing & other Demanding NSF applications

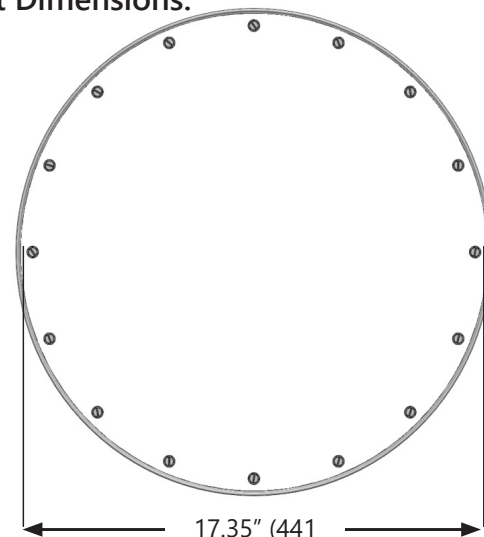
- 9,000-28,000 lumens
- Distributions: 120°, 90°, or 60° clear and 120° diffused lens options
- Efficiency: Up to 165 LPW
- Replaces 150W-750W HID fixtures
- 80-90 CRI @ 3000K, 3500K, 4000K, 5000K
- 120-277V, 347V & 480V
- Competitive rated Life



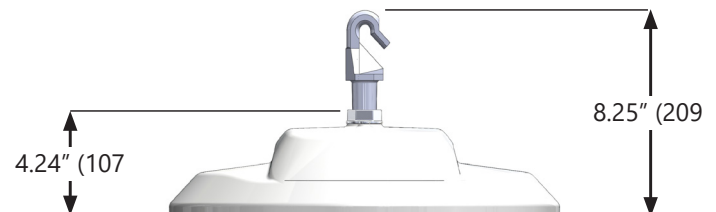
### Target Applications



Product Dimensions:



Hook Dimensions:



# Why Current's ABN1 Series



## Easy to clean

Decreasing the risk of contamination



## Lower Maintenance Cost

ABN1 provides market leading efficiency & competitive long life.



## Enhanced Visibility

Some lights can cause blinding glares or cast shadows which may be the cause of accidents.



## Industry Certified

Meets government & industry regulations, relating to food quality and safety.

## Advantage over other LED's

- Market leading efficiency (165 LPW)
- Full Mounting type offering
- Light weight (16lbs)
- Competitive price
- Full controls offering – Coming soon

## Additional advantages over Legacy

- Prevents contamination of food products (ex. glass or other breakable materials).
- Improved lighting output & efficiency that are still efficient even at low temperatures (ex. cold storage facilities)
- Benefits:
  - Low maintenance, due to longer life
  - No toxic mercury
  - Instant-on performance
  - A broad range of operating temperatures.

## Rating & Evaluations

- Ratings: NSF Splash Zone, IP66, IP69K, NEMA 4X

## Mounting Options

- Pendant
- Chain/Cable
- Surface Mount
- Rod Mount
- Y-Cable w/Hook



## ABR2 Series

### Heavy Industrial High Bay & Low Bay Lighting

The **Albeo® ABR2** LED luminaire is an IP66 rated fixture for demanding industrial environments with high ambient temperatures and wet applications. Utilizing a sealed form factor, the ABR2-Series offers customers a rugged design with exceptional performance and high reliability. Corrosive resistant finish recommended for use in natatorium and similar corrosive environments.

### Construction

<b>Housing:</b>	Cast A380 Aluminum
<b>Lens:</b>	Polycarbonate or Glass
<b>Paint:</b>	Polyester powder coat with passivation layer
<b>Weight:</b>	21–49lbs (9.53–22.23kg)
<b>Optical Assembly:</b>	Reflective optics with flat lens

### Optical System

<b>Lumens:</b>	9000 – 60000
<b>Distribution:</b>	120°, 90°, 55°, 30°, Glass, Clear PC, and Diffused lens options
<b>Efficacy:</b>	Up to 175 LPW
<b>CCT:</b>	4000K & 5000K
<b>CRI:</b>	70 & 80

### Electrical

<b>Input Voltage:</b>	120–277 V, 347 V, & 480 V
<b>Input Frequency:</b>	50/60Hz
<b>Power Factor (PF)*:</b>	>90%*
<b>Total Harmonic Distortion (THD)*:</b>	<20%*
<b>EMI:</b>	Title 47 CFR 15 Class A
<b>Surge Protection:</b>	<ul style="list-style-type: none"> <li>For 120–277VAC per IEEE/ANSI C62.41.-1991, 3kV/3kA Location Category B3</li> <li>For 347/480VAC per IEEE/ANSI C62.41.-1991, 6kV/3kA Location Category B3</li> <li>Optional for 120–480V per IEEE/ANSI C62.41.-1991, 10kV/5kA Location Category B3</li> </ul>
<b>LED Driver Type:</b>	Class 1

\* PF and THD may vary with options

### Controls

<b>Dimming:</b>	Standard 0–10VDC;10% <ul style="list-style-type: none"> <li>Wattstopper FSP21: Motion, Daylight, Hi-Low Dimming, and IR config (IR remote sold separately)</li> </ul>
<b>Sensors:</b>	<ul style="list-style-type: none"> <li>Wattstopper FSP remote: SKU# 93076263.</li> <li>WHS100: Wireless Zigbee DaintreeTM with Motion Sensor Standard 0–10VDC;10%</li> </ul>

### Ambient Temperature

TYPE	TEMPERATURE RATE
OPERATING TEMPERATURE	–30°C to +65°C

### Lumen Maintenance

LXX(10K) @ Hours 100,000 HR
L70

### Mounting

- Typical Mounting:**
  - Standard Chain/Cable mount ready.
  - Threaded Rod, Pendant Mount, Hook, and Loop kits optional for all configurations.
  - Rotatable Bracket optional for single module (1S) configurations only.
- Cord & Plugs:**
  - Knockout Access—no cord, no plug, available with 23 (Pendant mounting only).
  - 6 ft, 12 ft, 15 ft, 20 ft cord options.
  - 15A or 20A, straight or twist lock plug (Damp rated).

### Design Life & Warranty

- UL 1598 Suitable for Wet Locations (IP66)
- Safety:**
  - UL/cUL Listed
  - UL 8750 LED Equipment in Lighting Products
  - UL 1598A Inside Drip Proof-Type
- Packaging:** Standard job pack contain 7–21 fixtures. Orders of <14 are typically single pack.
- Current's Limited 5-year Warranty:** Please refer to ALB048 in Product Downloads section at: <https://products.gecurrent.com>





# ABR2 Series

Heavy Industrial High Bay & Low Bay Lighting

## CUSTOMER NAME

Project Name \_\_\_\_\_

Date \_\_\_\_\_ Type \_\_\_\_\_

Catalog Number \_\_\_\_\_

## Ordering Information

### ABR2

PRODUCT ID	VOLTAGE <sup>1</sup>	LUMEN OUTPUT	PERFORMANCE LEVEL	CCT/CRI	OPTICS/LENS	CONTROLS	MOUNTING	CORD	PLUG <sup>7</sup>	FINISH	OPTIONS
<b>ABR2</b> = Albeo® High Bay	<b>0</b> = 120–277V	<b>09</b> = 9,000lm	<b>T</b> = Standard <b>H</b> = High	<b>70 CRI</b> <b>47</b> = 4000k <b>57</b> = 5000k  <b>80 CRI</b> <b>48</b> = 4000k <b>58</b> = 5000k	<b>1G</b> = 120° Glass	<b>QQ</b> = None <b>QV</b> = 0-10V Control Wires <b>2Q<sup>2</sup></b> = Motion Sensor w/ Daylight, High-Low Dimming, and IR Remote Adjustable (IR remote SKU #93076263 sold separately to modify default settings) <b>4Q<sup>3</sup></b> = Wireless ZigBee Daintree® Enabled w/ Motion Sensor	<b>ST</b> =Chain/Cable	<b>K<sup>6</sup></b> = Knockout <b>A</b> = 6ft. 18ga black cord <b>B</b> = 12ft. 18ga black cord <b>C</b> = 15ft. 18ga black cord <b>D</b> = 20ft. 18ga black cord	<b>Q</b> = None <b>A</b> = 15A Straight Plug <b>B</b> = 20A Straight Plug <b>C</b> = 15A Twist Lock <b>D</b> = 20A Twist Lock	<b>W</b> = White Powder Coat <b>R</b> = Corrosion Resistant	<b>1PK</b> = Single Pack for distributor stocking. Default is job pack.  <b>10K</b> = 10kV Surge Protection
	<b>1</b> = 120V	<b>12</b> = 12,000lm			<b>9G</b> = 90° Glass		<b>22</b> =1/2" Threaded Rod Mount Kit				
	<b>4</b> = 277V	<b>15</b> = 15,000lm			<b>5G</b> = 55° Glass		<b>23</b> = 3/4" Pendant Mount Kit				
	<b>D</b> = 347V	<b>18</b> = 18,000lm			<b>3G</b> = 30° Glass		<b>HK</b> = Hook				
	<b>5</b> = 480V	<b>24</b> = 24,000lm			<b>1C</b> = 120° Clear PC		<b>LP</b> = Loop				
		<b>30</b> = 30,000lm			<b>9C</b> =90° Clear PC		<b>41<sup>4</sup></b> = 5 ft. Y-Cable/Hook				

70 CRI @ 4000K OR 5000K CCT								
LUMEN PACKAGE	OUTPUT LEVEL	TYPICAL DELIVERED LUMENS	TYPICAL POWER		TYPICAL LPW 120–277V	MAX AMBIENT TEMP (°C)		MODULE BODY
			120–277V	347–480V		120–277V	347–480V	
09	T	9,100	55	58	165	60	60	1S
09	H	9,100	51	54	178	65	65	1S
12	T	12,100	75	79	161	60	60	1S
12	H	12,100	68	72	178	65	65	1S
15	T	15,100	98	100	154	60	60	1S
15	H	15,100	87	90	174	65	65	1S
18	T	18,000	124	123	145	60	60	1S
18	H	18,000	106	107	170	65	65	1S
24	T	24,200	176	176	138	60	60	1S
24	H	24,200	138	137	175	65	65	1S
30	T	30,700	205	209	150	60	60	1S
30	H	30,700	180	180	171	65	65	1S
36	T	36,100	247	245	146	60	60	2S
36	H	36,100	213	214	169	65	65	2S
48	T	48,400	352	352	138	60	60	2S
48	H	48,400	276	274	175	65	65	2S
60	T	61,400	410	418	150	60	60	2S
60	H	61,400	360	360	171	65	65	2S

NEMA PLUG TYPE				
VOLTAGE	A (15A STRAIGHT)	B (20A STRAIGHT)	C (15A TWIST LOCK)	20D (1 A TWIST LOCK)
120	5-15P	5-20P	L5-15P	L5-20P
277	7-15P	7-20P	L7-15P	L7-20P
347	24-15P	24-20P	N/A	L24-20P
480	N/A	N/A	N/A	L8-20P

CRI	CCT	LUMEN PACKAGE OUTPUT	
		T OUTPUT	H OUTPUT
70	5000K	100%	100%
	4000K	100%	100%
80	5000K	95%	98%
	4000K	92%	92%

OPTIC CODE	OPTIC DESCRIPTION	OUTPUT
<b>1G</b>	120° Glass Lens	100%
<b>9G</b>	90° Glass Lens	97%
<b>5G</b>	55° Glass Lens	94%
<b>3G</b>	30° Glass Lens	94%
<b>1C</b>	120° Clear Lens	97%
<b>9C</b>	90° Clear Lens	94%
<b>5C</b>	55° Clear Lens	91%
<b>3C</b>	30° Clear Lens	92%
<b>1D</b>	120° Diffused Lens	94%
<b>1F</b>	120° Teflon Coated Glass	98%
<b>9F</b>	90° Teflon Coated Glass	96%
<b>5F</b>	55° Teflon Coated Glass	94%

### ORDERING NOTES:

- Specify single voltage if plug is needed.
- Not available on 480V.
- Not available at 347V/480V, Not available on 36K Lumens and up, Not available on "R" finish.
- Not available with corrosion resistant finish "R"- For Y-cable (Mounting)
- Available for single module (1S) configurations only.
- Available with 23 (Pendant) Mount Kit only.
- See Table "NEMA Plug Type"

### Field-Installable Mounting and Accessory Options

MOUNTING/ACCESSORY OPTIONS	IMAGE	ORDER LOGIC CODE	DIMENSIONS/NOTES
<p><b>Standard Chain/Cable Mount</b> Available on all fixture configurations (chain not included). Y-Cable w/ hook can be ordered as an accessory.</p>		<p>ST = Standard</p>	<p>N/A</p>
<p><b>Rod Mount (optional)</b> Available on all fixture configurations. Attaches to 1/2" threaded rod (rod and nuts not included).</p>		<p>22 = 1/2" Threaded Rod Kit</p>	<p>93132321</p>
<p><b>Pendant Mount (optional)</b> Available on all fixture configurations. Attaches to 3/4" NPT threaded conduit (conduit not included).</p>		<p>23 = 3/4" NPT Pendant Mount Kit</p>	<p>W Finish: 93132322 R Finish: 93132323</p>
<p><b>Hook/Loop Mount (optional)</b> Available on all fixture configurations. Attaches to loop or hook.</p>		<p>HK = Hook LP = Loop</p>	<p>K = 93132319 LP = 93132320</p>
<p><b>Y-Cable w/ hook (optional)</b> Use with Standard Mounting option only. Order separately. Price adder per pair. 5ft, 10ft, 15ft, 20ft lengths available. Not available with corrosion resistant finish (R)</p>		<p>41 = Y-cable/Hook 5ft 42 = Y-cable/Hook 10ft 43 = Y-cable/Hook 15ft 44 = Y-cable/Hook 20ft Max Load: 200 lbs. per pair</p>	<p>5ft = 93075756 10ft = 93075552 15ft = 93075553 20ft = 93075554</p>
<p><b>Rotatable Mount Bracket (optional)</b> Available on single module (1S) configurations only. Mounts to a wall or ceiling with 360° of rotation at 15° fixed angle points.</p>		<p>RB = Rotatable Bracket</p>	<p>95020514</p>

Chain/cable mount is standard and included in price. Price adder for Y-Cable, Rod Mount, Pendant Mount, and Rotatable Bracket. Consult Sales for latest information. See "Installation Instructions" for mounting details.

# ABR2 Series

Heavy Industrial High Bay & Low Bay Lighting

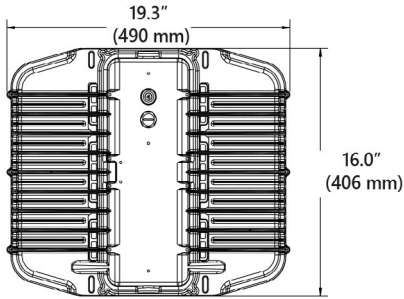
## CUSTOMER NAME

Project Name \_\_\_\_\_

Date \_\_\_\_\_ Type \_\_\_\_\_

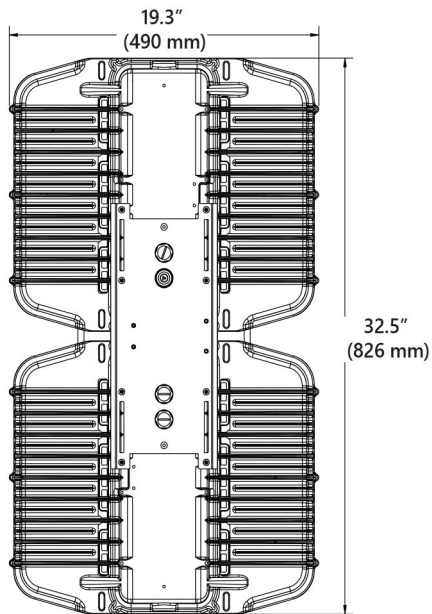
Catalog Number \_\_\_\_\_

### 1S - Module

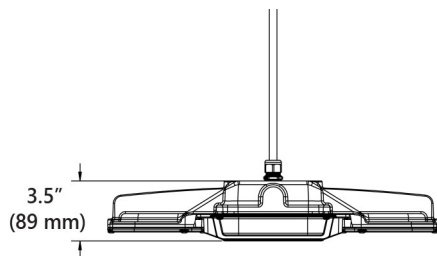


CONFIGURATION	MAX WEIGHT	MAX WEIGHT WITH ROTATABLE BRACKET
Single Fixture 120-277V	21 lbs. max	25 lbs. max
Single Fixture 347/480V	23 lbs. max	27 lbs. max
Double Fixture 120-277V	45 lbs. max	N/A
Double Fixture 347/480V	49 lbs. max	N/A

### 2S - Module



### Side View

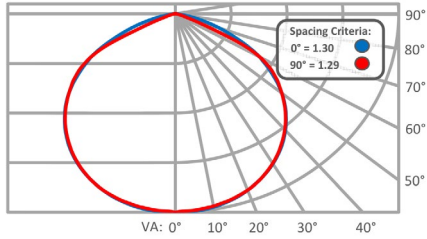


# ABR2 Series

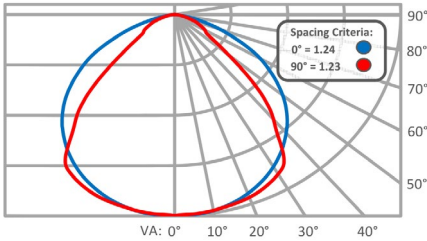
Heavy Industrial High Bay & Low Bay Lighting

## Photometric Data

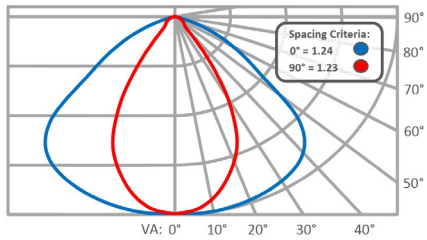
**1G/1C**  
120° Clear Lens



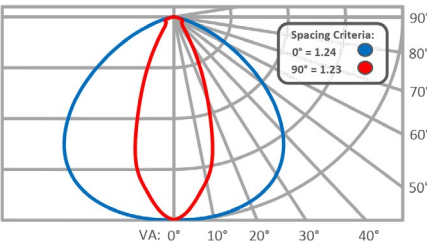
**9G/9C**  
90° Clear Lens



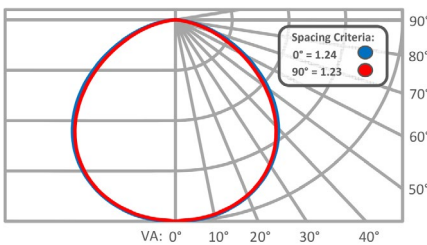
**5G/5C**  
55° Clear Lens



**3G/3C**  
30° Clear Lens

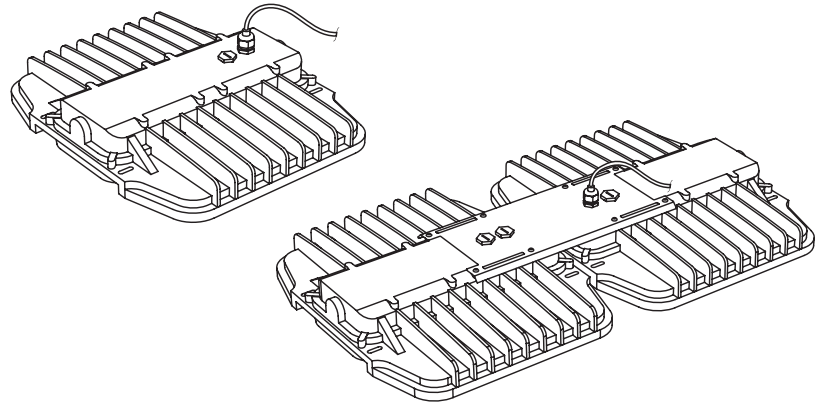


**1D**  
120° Diffused Lens



# Albeo® ABR2 LED Luminaire Heavy Industrial High Bay Lighting

ALB019



## BEFORE YOU BEGIN

Read these instructions completely and carefully.  
Save these instructions for future use.

### ⚠ WARNING/AVERTISSEMENT/ADVERTENCIA

**Risk of electrical shock.** Turn power off before inspection, installation or removal. Properly ground electrical enclosure.  
**Risk of fire.** Follow all NEC and local codes. Use only UL or IEC approved wire for input/output connections. Minimum size 18 AWG.

**Risques de décharges électriques.** Coupez l'alimentation avant d'inspecter, installer ou déplacer le luminaire. Assurez-vous de correctement mettre à la terre le boîtier d'alimentation électrique.  
**Risque d'incendie.** Respectez tous les codes NEC et codes locaux. N'utilisez que des fils approuvés par UL ou IEC pour les entrées/sorties de connexion. Taille minimum 18 AWG.

This device complies with Part 15 of the FCC Rules. Operation is subject to the following two conditions: (1) This device may not cause harmful interference, and (2) this device must accept any interference received, including interference that may cause undesired operation. CAN ICES-005 (A) / NMB-005 (A)

**Note:** This equipment has been tested and found to comply with the limits for a Class A digital device, pursuant to part 15 of the FCC Rules. These limits are designed to provide reasonable protection against harmful interference when the equipment is operated in a commercial environment. This equipment generates, uses, and can radiate radio frequency energy and, if not installed and used in accordance with the instruction manual, may cause harmful interference to radio communications. Operation of this equipment in a residential area is likely to cause harmful interference in which case the user will be required to correct the interference at his own expense.

## Save These Instructions

Use only in the manner intended by the manufacturer.  
If you have any questions, contact the manufacturer.



## Prepare Electrical Wiring

### Electrical Requirements

The LED driver must be supplied with 120-277 VAC or 347/480 VAC, 50/60 Hz per product label and connected to an individual properly grounded branch circuit, protected by a 15 or 20 ampere circuit breaker.



### Grounding Instructions

The grounding and bonding of the overall system shall be done in accordance with National Electric Code (NEC) Article 600 and local codes.



### Section 1: Unit Installation

Provide at least 12" of clearance from the top of the fixture to any ceiling or surface above.

**(A)** Carefully unpack unit and properly inspect for defects before installing. Wear work gloves to prevent dirt and oil from being transferred to the luminaire.

**(B)** Choose a mounting method: chain or cable, rod mount, or pendant mount.

**(C)** Wire colors:

Black	Live
White	Neutral
Green	Safety Ground
Purple	0-10V (+)
Gray	0-10V (-)

ABR2-Series Configuration	Fixture Weight Max. Weight (lbs.)	
	120/277V	347/480V
Single	21	23
Dual	45	49

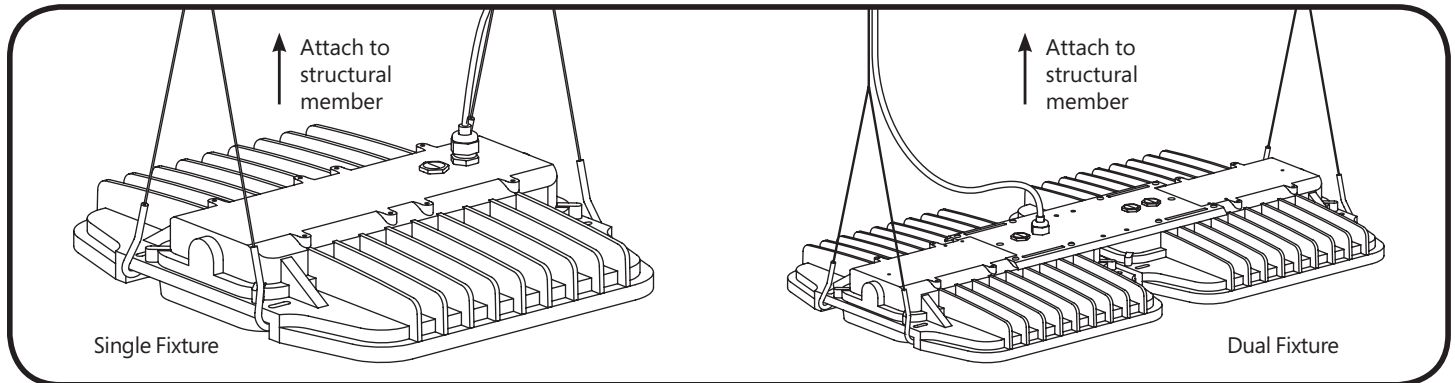
**NOTE:** The standard configuration uses a 3-conductor SOOW cable. The dimming option utilizes a 5-conductor SOOW cable for both AC and 0-10V control wires.

**NOTE:** For applications requiring the "R" corrosion resistant finish, use mounting hardware appropriate for the environment.

### Section 2: Chain or Cable Mounting

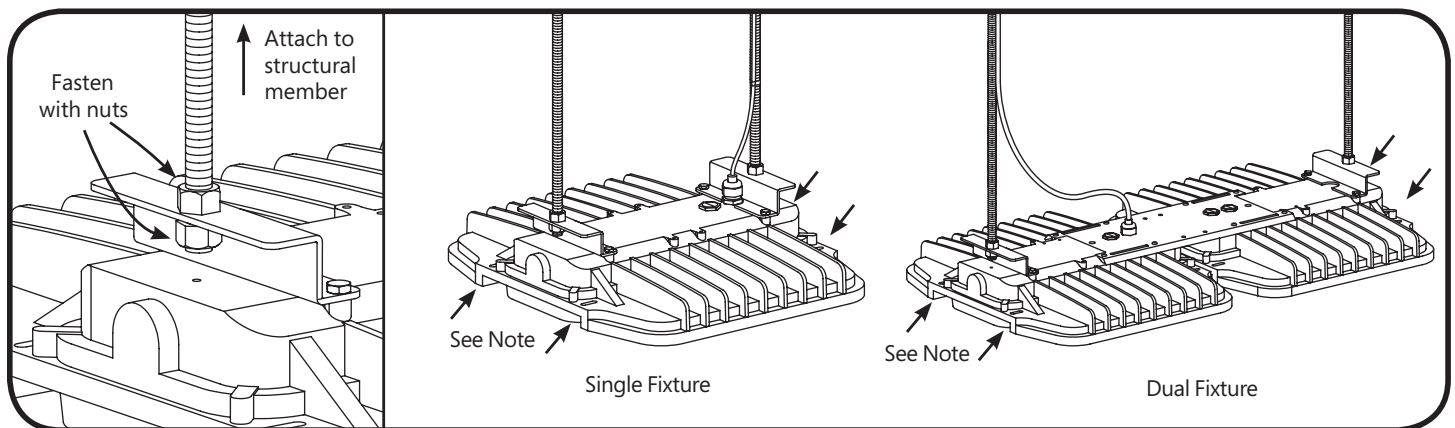
Please follow all UL, NEC and minimum load rating guidelines when selecting and installing a cable or chain.

**NOTE:** When selecting chain, a joint in a circular chain link shall be welded. A joint in a chain link of another shape shall not be located within 30 degrees of the vertical unless welded.



Hang two chains/cables from a structural member of the ceiling. Fixture must be supported independently of an outlet box. Loop chain/cable through the mounting slots next to each fixture end. Chain/cable mounting locations must be in the slots at the ends of the fixture.

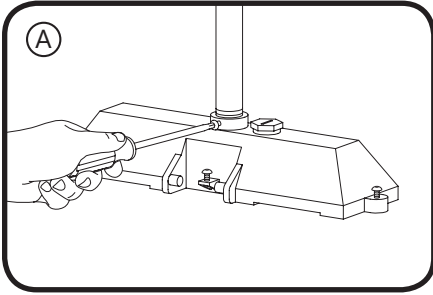
### Section 3: Threaded Rod Mounting



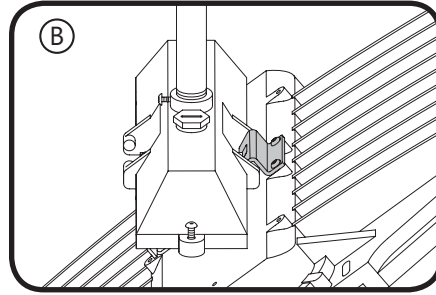
Secure two 1/2" threaded rods into structural members in ceiling. Place a nut on each threaded rod where fixture should hang. Slide rod mount brackets onto threaded rods and tighten second nut onto rods to secure fixture.

**NOTE:** Safety chains can be used in mounting slots at end of fixture.

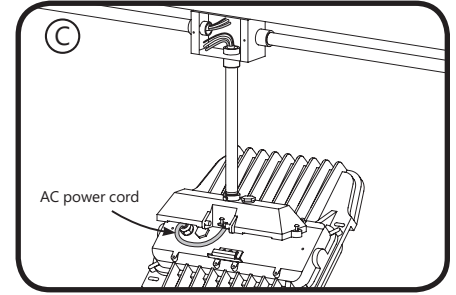
### Section 4: Pendant Mounting



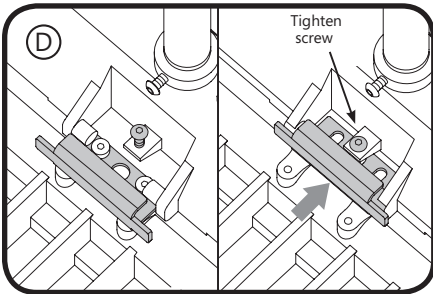
Attach pendant mount box to 3/4" NPT conduit. Determine rotation of fixture and lock orientation in place with provided set screw.



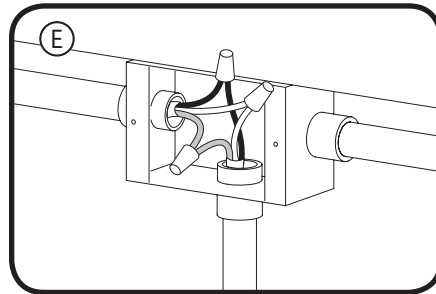
Lift fixture up and hang on pendant mount box using hinge piece.



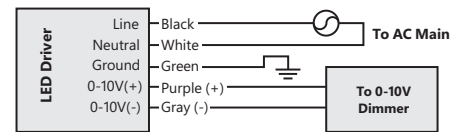
Feed the AC power cord through the conduit and into the junction box.



Swing fixture closed and secure with the slide clip. Lock slide clip in place with screw.

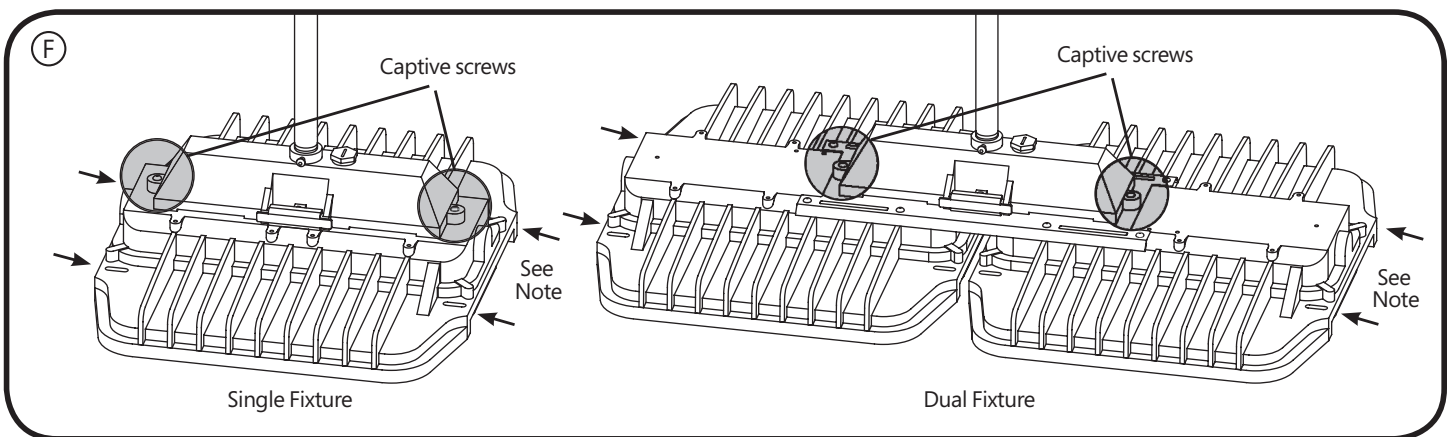


Connect the green (ground), black (line) and white (neutral) wires of the AC line to the similarly colored wires of the fixture's power cord using UL listed wire connectors. Close junction box.



The 0-10V dimming option uses a 5-conductor SOOW cable. Install cable per NEC and local codes. For pendant mount option, cord can be run through 1/2" NPT hole on top of the mount box.

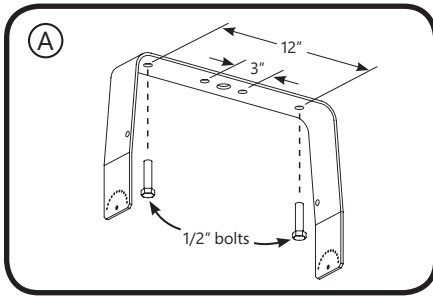
A 10V signal corresponds to 100% lumen output. A 0V signal corresponds to ~10% lumen output. Shorting the dimming wires dims the fixture to ~10% lumen output.



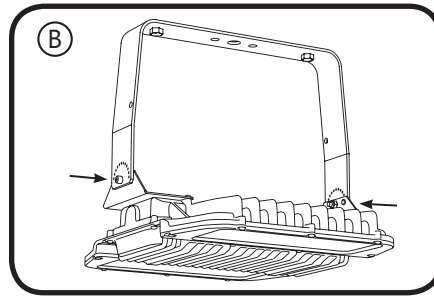
Secure pendant mount box to fixture by fully tightening the captive screws on the sides of the pendant mount box to the fixture.

**NOTE:** Safety chains can be used in mounting slots at end of fixture.

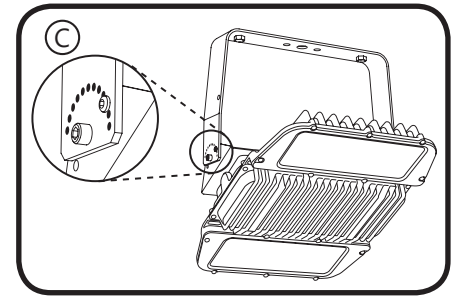
### Section 5: Rotatable Bracket Mounting



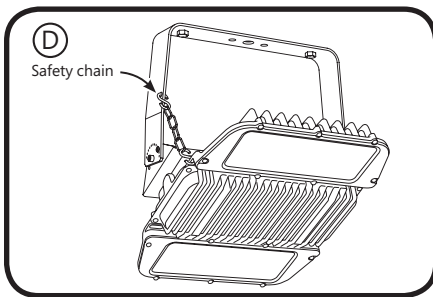
Mount U-bracket to a flat wall or ceiling surface using (2) 1/2" bolts. Use either the 3" or the 12" hole pattern.



Lift fixture up and insert provided (2) 1/4" hex drive bolts through brackets, then install provided locknuts.



Determine rotation of fixture and lock orientation in place (both sides) with provided (2) 1/8" hex drive screws.

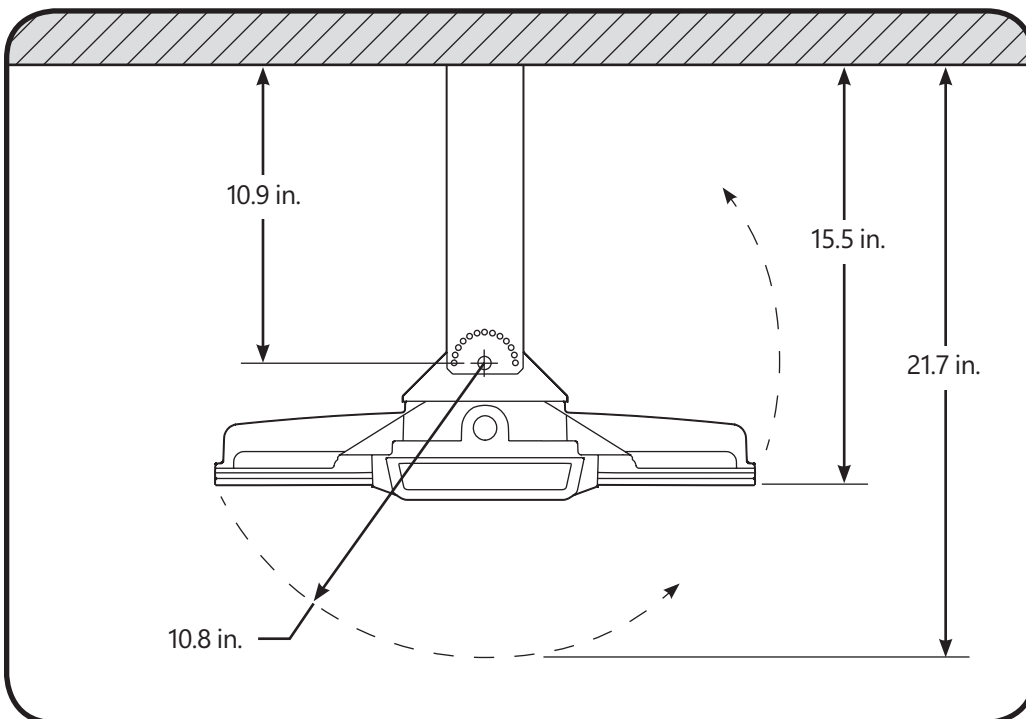


**NOTE:** Optional safety chains can be used in 3/8" holes in sides of bracket and in the mounting slots at the end of fixture.

**NOTE:** Luminaire not to be directly facing the mounting surface nor within 45° of each direction.

**NOTE:** The rotatable bracket requires a 5°C maximum ambient temperature derating.

### Section 6: Rotational Bracket Clearances



## Section 7: Troubleshooting

### Symptom

### Solution

Luminaire will not turn on.

- Check that the color of the supply side wires match the color of the wires they are connected to.
- Check that all wire connectors are properly connected.
- Verify that your input voltage is within specs.
- If you are using any additional controls (i.e. dimming wires, motion sensors), please also verify that those are working properly and that the unit is setup to interface with the controllers.

## Section 8: Maintenance

- Product should not be disassembled during installation process and/or while installed.
- Lens should be cleaned periodically for maximum lumen output.
- Inspect and clear any build-up on cooling fins periodically for maximum performance.

### Questions:

**Web:** [products.gecurrent.com](http://products.gecurrent.com)

**Phone:** 1-866-855-8629

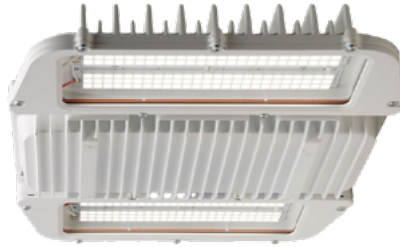
These instructions do not purport to cover all details or variations in equipment nor to provide for every possible contingency to be met in connection with installation, operation or maintenance. Should further information be desired or should particular problems arise which are not covered sufficiently for the purchaser's purposes, the matter should be referred to GE current.

Ces instructions ne prétendent pas couvrir tous les détails ou variantes de l'équipement ni couvrir toutes les conditions possibles à satisfaire en rapport avec l'installation, l'opération ou l'entretien. Si des informations supplémentaires sont souhaitées sur des aspects qui ne sont pas suffisamment couverts pour satisfaire les besoins du client, ou si des problèmes particuliers se présentent, veuillez adresser ces questions à GE current.

Estas instrucciones no pretenden cubrir todos los detalles o variaciones en el equipo ni para prever cualquier contingencia que debe cumplir en relación con la instalación, la operación o el mantenimiento. De ser deseada más información o se surgieran problemas particulares que no están cubiertos suficientemente para los propósitos del comprador, favor de remitirse a GE current.

## AHH2 Series

### Hazardous Location Luminaire



The Albeo® AHH2 LED luminaire is a Class I, Division 2, Groups A,B,C, and D rated fixture for hazardous locations with high ambient temperatures and wet applications. Utilizing a sealed, IP66-rated form factor, the Albeo AHH2 series offers customers a rugged design with exceptional performance and high reliability.

### CONSTRUCTION

<b>Housing:</b>	Diecast aluminum
<b>Lens:</b>	Polycarbonate or glass lens
<b>Corrosion Resistant Layer:</b>	Polyester powder coat with passivation layer
<b>Paint:</b>	White
<b>Weight:</b>	21-49lbs (9.5-22kg)

### PERFORMANCE

<b>Distribution:</b>	120°, 90°, 55°, 30°, Glass, Clear PC and diffused lens
<b>Lumens:</b>	9,000-60,000 lumens
<b>Efficacy:</b>	up to 165 LPW
<b>CCT:</b>	4000K, 5000K
<b>CRI:</b>	70 & 80 CRI

### ELECTRICAL

<b>Input Voltage:</b>	120-277V, 347V, or 480V
<b>Input Frequency:</b>	50/60 Hz
<b>LED Driver Type:</b>	Class1, 3kV/6kV surge protection
<b>Power Factor (PF)*:</b>	>90%*
<b>Total Harmonic Distortion (THD)*:</b>	<20%*
<b>Surge Protection:</b>	<ul style="list-style-type: none"> <li>For 120-277VAC per IEEE/ANSI C62.41.-1991, 3kV/3kA Location Category B3</li> <li>For 347/480VAC per IEEE/ANSI C62.41.-1991, 6kV/3kA Location Category B3</li> <li>Optional for 120-480 V per IEEE/ANSI C62.41.-1991,10kV/5kA Location Category B3</li> </ul>
<b>EMI:</b>	FCC CFR Title 47 Part 15, Class A

\* PF and THD may vary with options

### CONTROLS

**Dimming:** 0-10V, 10% dimming

### LUMINAIRE AMBIENT TEMPERATURE

TYPE	TEMPERATURE RATE
<b>OPERATING TEMPERATURE</b>	-30°C to +65°C 48K Lumen and Below -30°C to +65°C 60K Lumen code only

\*inquire with factory on >60°C options

### LUMEN MAINTENANCE

<b>LXX(10K) @ Hours</b>	100,000 HR
<b>L70</b>	

### ADDITIONAL FEATURES

- **Typical Mounting:** Pendant mount only
- **Cord & Plug:** Not available on AHH2
- **Packaging:** Standard pack is job pack/bulk pack consisting of 7-21 fixtures in a half Gaylord box. Fixtures are sleeve wrapped within the bulk box for quick unloading at jobsite. Orders of <14 fixtures are typically single pack.

### DESIGN LIFE & WARRANTY

- **Reliability Testing:** Fixture components designed to exceed 100,000 hrs of operation at the worst possible rated conditions. Complete system evaluated at extreme conditions and monitored during production.
- Please refer to the DLC QPL website for the latest and most complete information: <http://www.designlights.org/QPL>
- UL/cUL Listed, UL1598, UL8750,
- UL844 Class 1, Division 2, Groups A,B,C,D.
- UL1598A Inside Drip-proof type (Corrosive "R" Finish)  
3,000hrs of ASTM B117 Salt Spray
- NEMA 4X Enclosure Type
- Current's Limited 5-year Warranty:  
Please refer to document **ALB048** for more information.





# AHH2 Series

Hazardous Location Luminaire

## Catalog Logic and Accessories

### CUSTOMER NAME

Project Name \_\_\_\_\_

Date \_\_\_\_\_ Type \_\_\_\_\_

Catalog Number \_\_\_\_\_

### Ordering Information

**AHH2**    **T**    **QV**    **23**    **K**    **Q**

PRODUCT ID	VOLTAGE	LUMEN OUTPUT	PERFORMANCE LEVEL	CRI/CCT	OPTICS/LENS	CONTROLS	MOUNTING	CORD	PLUG	FINISH	OPTIONS
AHH2 - Albeo Highbay Hazardous Series 2nd Gen	0 = 120-277 1 = 120 4 = 277 D = 347 5 = 480	09 = 9,000 12 = 12,000 15 = 15,000 18 = 18,000 24 = 24,000 30 = 30,000 36 = 36,000 48 = 48,000 60 = 60,000	T = Standard	70 CRI 47 = 4000K 57 = 5000K  80 CRI 48 = 4000K 58 = 5000K	1G = 120° Glass 9G = 90° Glass 5G = 55° Glass 3G = 30° Glass 1C = 120° Clear PC 9C = 90° Clear PC 5C = 55° Clear PC 3C = 30° Clear PC 1D = 120° Diffuse PC	QV = 0-10V Control Wires	23 = 3/4" Pendant Mount Kit	K = Knockout	Q = None	W = White Powder Coat R = Corrosion Resistant	1PK = Single Pack for distributor stocking. Default is job pack.  10K = 10kV Surge

LUMEN PACKAGE	70 CRI @ 4000K OR 5000K CCT				MAX AMBIENT TEMP (°C)		MODULE BODY
	TYPICAL DELIVERED LUMENS	TYPICAL POWER		TYPICAL LPW 120-277V	120-277V	347/480V	
		120-277V	347/480V				
09	9,100	55	58	165	60	60	1S
12	12,100	75	79	161	60	60	1S
15	15,100	98	100	154	60	60	1S
18	18,000	124	123	145	60	60	1S
24	24,200	176	176	138	60	60	1S
30	30,700	205	209	150	60	60	1S
36	36,100	247	245	146	60	60	2S
48	48,400	352	352	138	60	60	2S
60	61,400	410	418	150	60	60	2S

OPTIC CODE	OPTIC DESCRIPTION	OUTPUT MULTIPLIER
1G	120° Glass Lens	100%
9G	90° Glass Lens	97%
5G	55° Glass Lens	94%
3G	30° Glass Lens	94%
1C	120° Clear Lens	97%
9C	90° Clear Lens	94%
5C	55° Clear Lens	91%
3C	30° Clear Lens	92%
1D	120° Diffused Lens	94%

CRI	CCT	OUTPUT MULTIPLIER
70CRI	5000K	100%
	4000K	100%
80CRI	5000K	95%
	4000K	92%

### MOUNTING & ACCESSORIES

Mounting Options	Image	Order Logic Code	Aftermarket Order
<b>Pendant Mount</b> Attaches to 3/4" NPT threaded conduit (conduit not included)		<b>23 = 3/4" NPT Pendant Mount Kit</b>	<b>W Finish: 93132322</b> <b>R Finish: 93132323</b>

# AHH2 Series

Hazardous Location Luminaire

## Dimensions

### CUSTOMER NAME

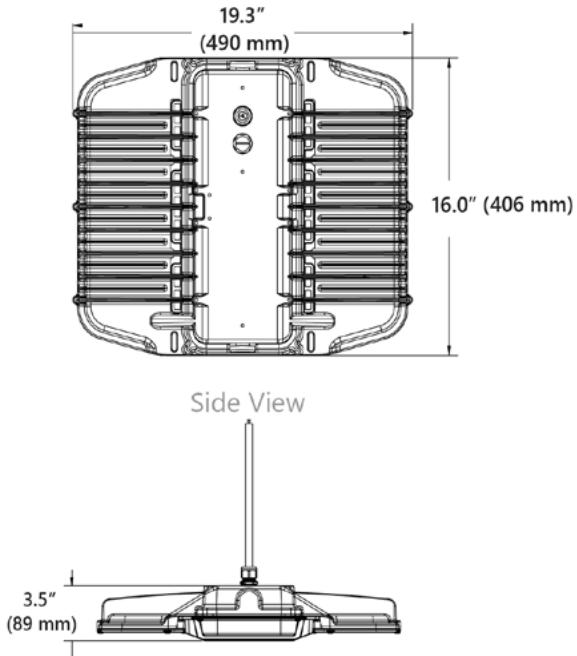
Project Name \_\_\_\_\_

Date \_\_\_\_\_ Type \_\_\_\_\_

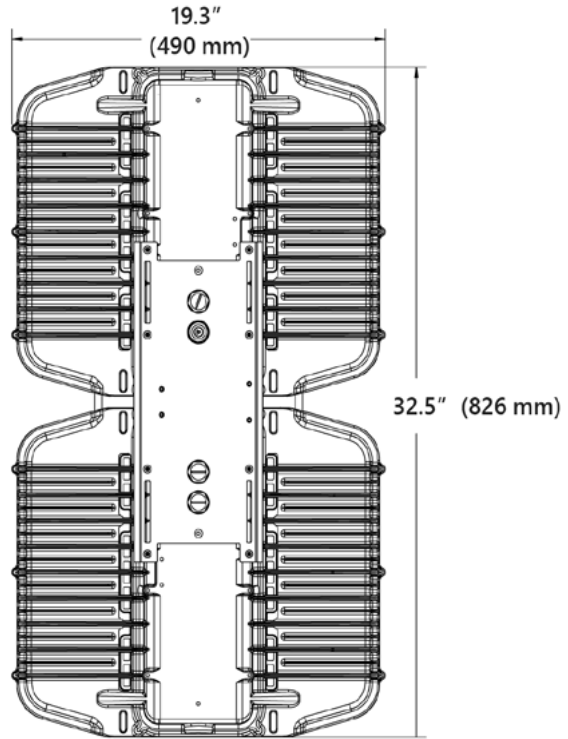
Catalog Number \_\_\_\_\_

### AHH2 SERIES MODULAR FIXTURE

1S-Module

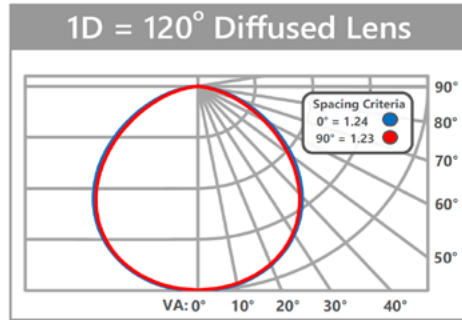
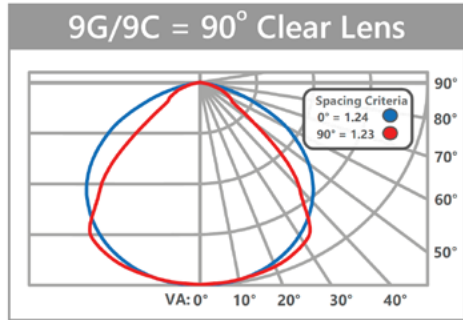
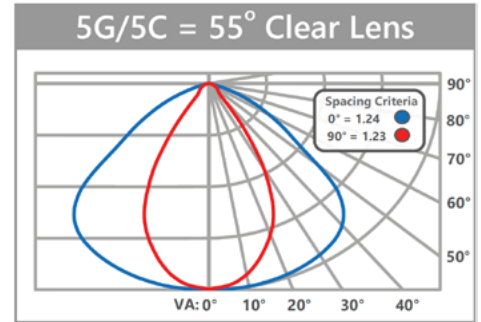
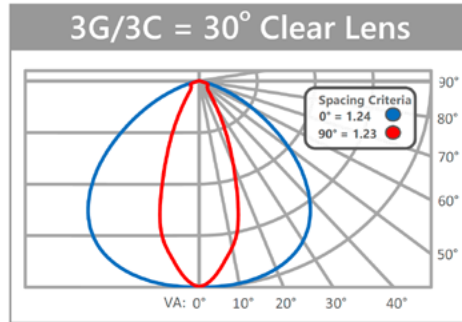
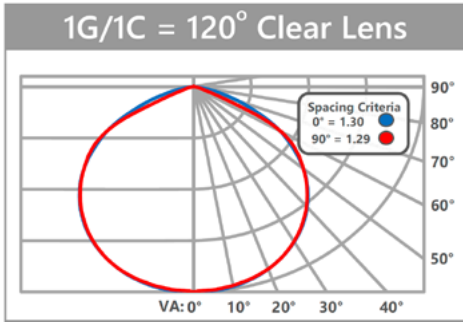


2S-Module



Configuration	Max Weight
Single Fixture 120-277V	21 lbs max
Single Fixture 347-480V	23 lbs max
Double Fixture 120-277V	45 lbs max
Double Fixture 347/480V	49 lbs max

**PHOTOMETRIC DATA**



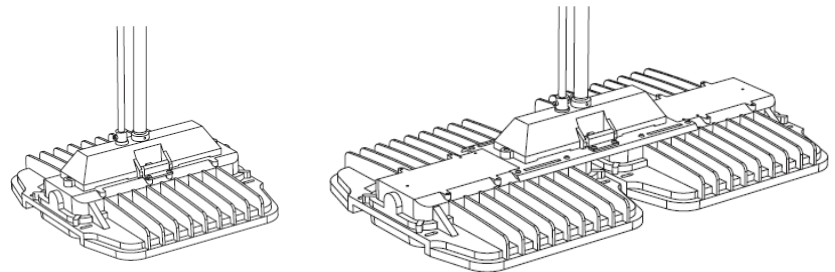
# Albeo® AHH2 LED Luminaire Heavy Industrial High Bay Lighting

ALB082



## BEFORE YOU BEGIN

Read these instructions completely and carefully.  
Save these instructions for future use.



### ⚠ WARNING/AVERTISSEMENT/ADVERTENCIA

**Risk of electrical shock.** Turn power off before inspection, installation or removal. Properly ground electrical enclosure.  
**Risk of fire.** Follow all NEC and local codes for the required wiring systems for the specific Hazardous Locations involved.

**Risques de décharges électriques.** Coupez l'alimentation avant d'inspecter, installer ou déplacer le luminaire. Assurez-vous de correctement mettre à la terre le boîtier d'alimentation électrique.  
**Risque d'incendie.** Respectez tous les codes NEC et codes locaux.

This device complies with Part 15 of the FCC Rules, not part of UL Certification. Operation is subject to the following two conditions: (1) This device may not cause harmful interference, and (2) this device must accept any interference received, including interference that may cause undesired operation. CAN ICES-005 (A) / NMB-005 (A)

**Note:** This equipment has been tested and found to comply with the limits for a Class A digital device, pursuant to part 15 of the FCC Rules, not part of UL Certification. These limits are designed to provide reasonable protection against harmful interference when the equipment is operated in a commercial environment. This equipment generates, uses, and can radiate radio frequency energy and, if not installed and used in accordance with the instruction manual, may cause harmful interference to radio communications. Operation of this equipment in a residential area is likely to cause harmful interference in which case the user will be required to correct the interference at his own expense.

## Save These Instructions

Use only in the manner intended by the manufacturer.  
If you have any questions, contact the manufacturer.



## Prepare Electrical Wiring

### Electrical Requirements

The LED luminaire must be supplied with 120-277 VAC or 347/480 VAC, 50/60 Hz per electrical ratings on product label and connected to an individual properly grounded branch circuit.



### Grounding Instructions

The grounding and bonding of the overall system shall be done in accordance with National Electric Code (NEC) Article 600 and local codes.

## Section 1: Unit Installation

Provide at least 12" of clearance from the top of the fixture to any ceiling or surface above.

(A)

Carefully unpack unit and properly inspect for defects before installing. Wear work gloves to prevent dirt and oil from being transferred to the luminaire.

(B)

Choose a mounting method: chain or cable, rod mount, or pendant mount.

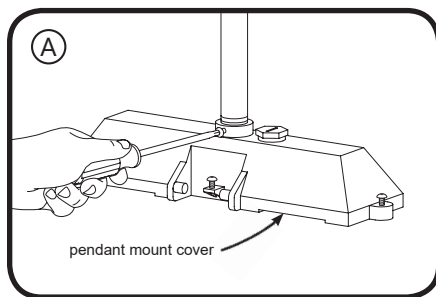
AHH2-Series Configuration	Max. Weight (lbs.)	
	120-277V	347/480V
Single	21	23
Dual	45	49

(C)

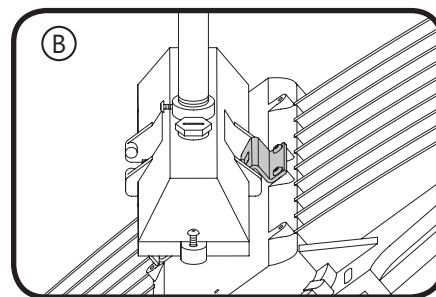
Luminaire Input Power	Black	Live
	White	Neutral
	Green	Safety Ground
Dimming Circuit	Purple	0-10V (+)
	Gray	0-10V (-)

**NOTE:** For applications requiring the "R" corrosion resistant finish, use mounting hardware appropriate for the environment

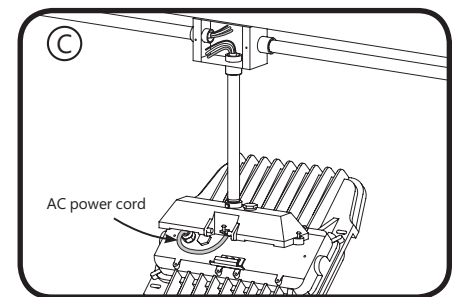
## Section 2: Pendant Mounting



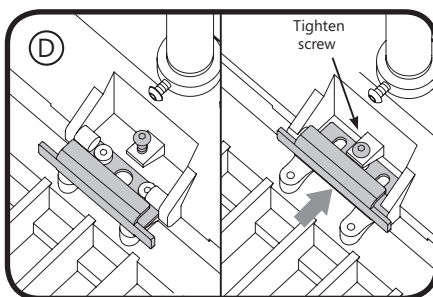
Attach pendant mount cover to 3/4" NPT conduit with at least 3 full threads of engagement. Determine rotation of luminaire and lock orientation in place with provided set screw.



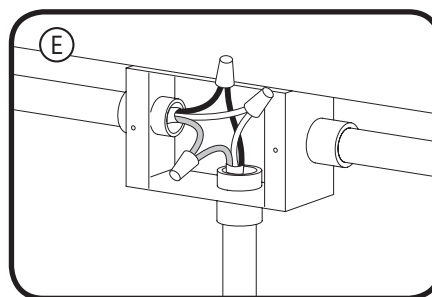
Lift luminaire up and hang on pendant mount cover using hinge piece.



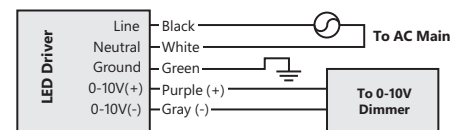
Feed the AC power lead wire through the conduit and into the junction box.



Swing luminaire closed and secure with the slide clip. Lock slide clip in place with screw.



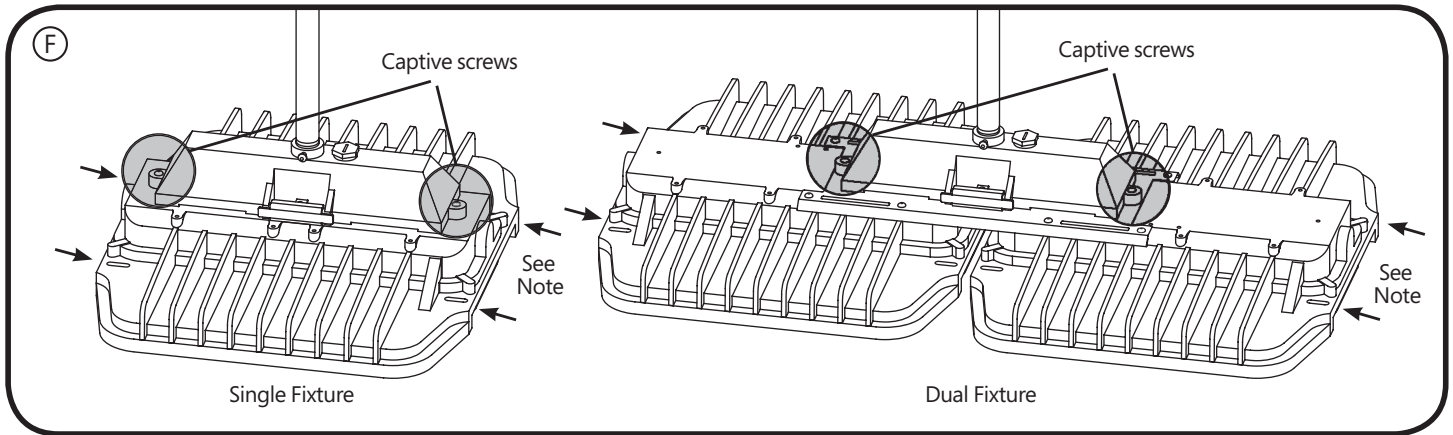
Connect the green (ground), black (line) and white (neutral) wires of the AC line to the similarly colored wires of the luminaire's lead wire using UL listed wire connectors. Close junction box.



For dimming options, connect purple and gray leads to dimming control that is certified and suitable for the hazardous locations involved, rated 0-10V min. A 10V signal corresponds to 100% lumen output. A 0V signal corresponds to ~10% lumen output.

Cap purple and gray leads separately when not used.





Secure pendant mount cover to luminaire by fully tightening the captive screws on the sides of the pendant mount box to the fixture.

**NOTE:** Safety chains (installer provided) can be used in mounting slots at end of fixture.

## Section 3: Troubleshooting

Symptom	Solution
Luminaire will not turn on.	<ul style="list-style-type: none"> <li>• Check that the color of the supply side wires match the color of the wires they are connected to.</li> <li>• Check that all wire connectors are properly connected.</li> <li>• Verify that your input voltage is within specs.</li> <li>• If you are using any additional controls (i.e. dimming wires, motion sensors), please also verify that those are working properly and that the unit is setup to interface with the controllers.</li> </ul>

## Section 4: Maintenance

- Product should not be disassembled during installation process and/or while installed.
- Lens should be cleaned periodically for maximum lumen output.
- Inspect and clear any build-up on cooling fins periodically for maximum performance.

### Questions:

Web: [products.gecurrent.com](http://products.gecurrent.com)

Phone: 1-866-855-8629

These instructions do not purport to cover all details or variations in equipment nor to provide for every possible contingency to be met in connection with installation, operation or maintenance. Should further information be desired or should particular problems arise which are not covered sufficiently for the purchaser's purposes, the matter should be referred to GE current.

Ces instructions ne prétendent pas couvrir tous les détails ou variantes de l'équipement ni couvrir toutes les conditions possibles à satisfaire en rapport avec l'installation, l'opération ou l'entretien. Si des informations supplémentaires sont souhaitées sur des aspects qui ne sont pas suffisamment couverts pour satisfaire les besoins du client, ou si des problèmes particuliers se présentent, veuillez adresser ces questions à GE current.

Estas instrucciones no pretenden cubrir todos los detalles o variaciones en el equipo ni para prever cualquier contingencia que debe cumplir en relación con la instalación, la operación o el mantenimiento. De ser deseada más información o se surgieran problemas particulares que no están cubiertos suficientemente para los propósitos del comprador, favor de remitirse a GE current.



## EFMH/EFHH Series

### LED Hazardous Location Flood Lights

The Evolve® EFMH and EFHH are a line of Hazardous Location Rated flood lights offering world class performance and durability for industrial, indoor or outdoor applications. Offering both medium output and high output, the EFMH and EFHH series respectively are ideal for severe duty applications including hazardous location ratings listed.



### Construction

<b>Housing:</b>	Die cast aluminum housing with slim design
<b>Lens:</b>	Impact resistant tempered glass
<b>Paint:</b>	Corrosion resistant polyester powder paint, minimum 2.0 mil thickness Standard = Black, Dark Bronze, Gray, White
<b>Weight:</b>	25-35 lbs (11.3-15.9 kgs)
<b>Optical Assembly:</b>	Reflective optic with flat glass lens

### Optical System

<b>Lumens:</b>	6,400 to 39,000
<b>Wattage:</b>	50 - 196 W (EFMH) & 150 - 297 W (EFHH)
<b>Efficacy:</b>	104 - 156 LPW (EFMH) & 115 - 140 LPW (EFHH)
<b>CCT:</b>	3000K, 4000K, 5000K options
<b>CRI:</b>	70

### Electrical

<b>Input Voltage:</b>	120-277 V & 347-480
<b>Input Frequency:</b>	50/60Hz
<b>Power Factor*:</b>	>90%*
<b>Total Harmonic Distortion*:</b>	<20%.*
<b>Surge Protection:</b>	ANSI 136.2-2015 6kV/3kA "Basic"
<b>EMI:</b>	Title 47 CFR15 Class A

\*PF and THD may vary with options

### Controls

<b>Dimming:</b>	Not Available
-----------------	---------------

### Lumen Maintenance

#### Projected Lxx per IES TM-21 at 25°C

EMFH01 OPTICAL	DISTRIBUTION	LXX(10K) @ HOURS		
		25,000 HR	50,000 HR	60,000 HR
BB, CC, DD	65, 66, 76,& 77	L95	L92	L91
EE, FF	65, 66, 76,& 77	L93	L88	L86

EMHH01 OPTICAL	DISTRIBUTION	LXX(10K) @ HOURS		
		25,000 HR	50,000 HR	60,000 HR
BB, CC, DD, EE	65, 66, 76,& 77	L95	L91	L90

Note: Projected Lxx based on LM80 (10,000 hour testing). Accepted industry tolerances apply to initial

### Luminaire Ambient Temperature Factor

TYPE	TEMPERATURE RATE
Operating Temperature	-40°C to +50°C

### Ratings

<b>LM-79:</b>	Tests and reports in accordance with IESNA standards
<b>Safety:</b>	UL/cUL Listed, suitable for wet locations
<b>UL 1598:</b>	Suitable for wet locations
<b>UL 1598A:</b>	Outside Type (Saltwater)
<b>UL844:</b>	Listed — Class I Div 2, Group A, B, C, and D (Zone 2) — Class II Div 2, Group F & G (Zone 22) — Class III Div 1 & 2 — For Indoor and Outdoor Applications
<b>IP66:</b>	Optical enclosure per ANSI C136.25-2009
<b>Vibration:</b>	3G vibration level per ANSI C136.31-2010

### Warranty

5 Year (Standard)  
Please refer to document IND599 for more information.



CUSTOMER NAME \_\_\_\_\_

PROJECT NAME \_\_\_\_\_

DATE \_\_\_\_\_ TYPE \_\_\_\_\_

CATALOG NUMBER \_\_\_\_\_

### Ordering Information

**EFMH 01**      **7**

--- -- - -- -- - -- - -- - -- - -- - -- -

PROD. ID	GEN	VOLTAGE	OPTIC CODE	DISTRIBUTION	CRI	CCT	DIMMING	CONTROLS	MOUNTING ARM	COLOR	OPTIONS
E = Evolve	01	0 = 120-277V			7 = 70	30 = 3000K	N = No PE Receptacle & Non Dimmable	A = No Control	T2 = Trunion with conduit entry	BLCK = Black	L = Tool-Less Entry
FM = Flood Medium	H = 347-480V	40 = 4000K			DKBZ = Dark Bronze	XXX = Special Options					
H = Hazardous	50 = 5000K	GRAY = Gray			WHITE = White						

OPTICAL CODE	DIST. CODE	OPTICAL DIST./ NEMA CLASS	TYPICAL INITIAL LUMENS		TYPICAL SYSTEM WATTAGE	IES FILE NUMBER				
			3000K	4000K/ 5000K	120-277V 347-480V	3000K		4000K	5000K	
							120-277V	347-480V	120-277V	347-480V
BB	77	7 x 7	9800	10000	64	EFMH01_BB77730_IES	EFMH01_BB77740_IES	EFMH01_BB77750_IES		
CC	77	7 x 7	14700	15000	96	EFMH01_CC77730_IES	EFMH01_CC77740_IES	EFMH01_CC77750_IES		
DD	77	7 x 7	20400	20900	146	EFMH01_DD77730_IES	EFMH01_DD77740_IES	EFMH01_DD77750_IES		
EE	77	7 x 7	23400	24000	175	EFMH01_EE77730_IES	EFMH01_EE77740_IES	EFMH01_EE77750_IES		
FF	77	7 x 7	26200	27000	196	EFMH01_FF77730_IES	EFMH01_FF77740_IES	EFMH01_FF77750_IES		
BB	76	7 x 6	9500	9700	64	EFMH01_BB76730_IES	EFMH01_BB76740_IES	EFMH01_BB76750_IES		
CC	76	7 x 6	14300	14600	96	EFMH01_CC76730_IES	EFMH01_CC76740_IES	EFMH01_CC76750_IES		
DD	76	7 x 6	19900	20400	146	EFMH01_DD76730_IES	EFMH01_DD76740_IES	EFMH01_DD76750_IES		
EE	76	7 x 6	23300	23900	175	EFMH01_EE76730_IES	EFMH01_EE76740_IES	EFMH01_EE76750_IES		
FF	76	7 x 6	25600	26300	196	EFMH01_FF76730_IES	EFMH01_FF76740_IES	EFMH01_FF76750_IES		
BB	66	6 x 6	9400	9600	64	EFMH01_BB66730_IES	EFMH01_BB66740_IES	EFMH01_BB66750_IES		
CC	66	6 x 6	14200	14500	96	EFMH01_CC66730_IES	EFMH01_CC66740_IES	EFMH01_CC66750_IES		
DD	66	6 x 6	19700	20200	146	EFMH01_DD66730_IES	EFMH01_DD66740_IES	EFMH01_DD66750_IES		
EE	66	6 x 6	22900	23500	175	EFMH01_EE66730_IES	EFMH01_EE66740_IES	EFMH01_EE66750_IES		
FF	66	6 x 6	25200	23900	196	EFMH01_FF66730_IES	EFMH01_FF66740_IES	EFMH01_FF66750_IES		
BB	65	6 x 5	8900	9100	64	EFMH01_BB65730_IES	EFMH01_BB65740_IES	EFMH01_BB65750_IES		
CC	65	6 x 5	13400	13700	96	EFMH01_CC65730_IES	EFMH01_CC65740_IES	EFMH01_CC65750_IES		
DD	65	6 x 5	18700	19100	146	EFMH01_DD65730_IES	EFMH01_DD65740_IES	EFMH01_DD65750_IES		
EE	65	6 x 5	21600	22200	175	EFMH01_EE65730_IES	EFMH01_EE65740_IES	EFMH01_EE65750_IES		
FF	65	6 x 5	23800	24400	196	EFMH01_FF65730_IES	EFMH01_FF65740_IES	EFMH01_FF65750_IES		

LUMINAIRE	OPERATING TEMPERATURE CODE		
	CLASS 1, DIV. 2 GROUP A, B, C, & D ZONE 2 GROUP IIA, IIB, IIC, & IIB PLUS HYDROGEN	CLASS II, DIV. 2 GROUP F & G ZONE 22	CLASS 1, DIV. 2 & CLASS II, DIV. 2 SIMULTANEOUS
EFMH	T3A	T3A	T3A
EFHH	T3A	T3A	T3A

### Ordering Information

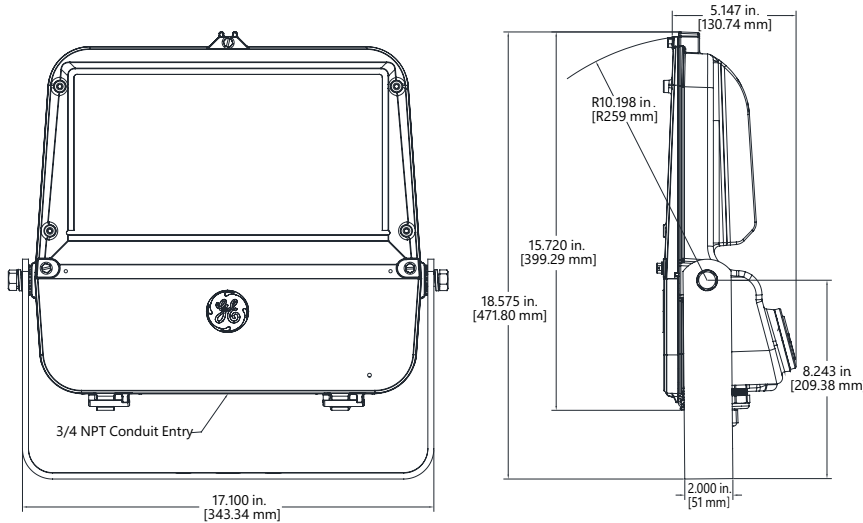
**EFHH 01**      **7**

--- -- - -- -- - -- - -- - -- - -- -

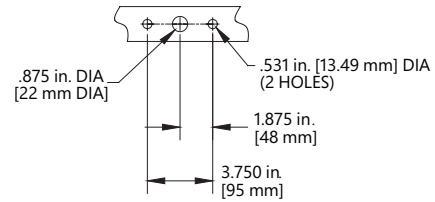
PROD. ID	GEN	VOLTAGE	OPTIC CODE	DISTRIBUTION	CRI	CCT	DIMMING	CONTROLS	MOUNTING ARM	COLOR	OPTIONS
E = Evolve	01	0 = 120-277V H = 347-480V			7 = 70	30 = 3000K 40 = 4000K 50 = 5000K	N = No PE Receptacle & Non Dimmable	A = No Control	T2 = Trunnion with conduit entry	BLCK = Black DKBZ = Dark Bronze GRAY = Gray WHITE = White	L = Tool-Less Entry XXX = Special Options

OPTICAL CODE	DIST. CODE	OPTICAL DIST./ NEMA CLASS	TYPICAL INITIAL LUMENS			TYPICAL SYSTEM WATTAGE	IES FILE NUMBER					
							3000K		4000K		5000K	
			3000K	4000K	5000K		120-277V 347-480V	120-277V	347-480V	120-277V	347-480V	120-277V
AA	77	7 x 7	18900	19300	19500	150	EFHH01_AA77730_IES	EFHH01_AA77740_IES	EFHH01_AA77750_IES			
BB	77	7 x 7	26300	26800	27100	194	EFHH01_BB77730_IES	EFHH01_BB77740_IES	EFHH01_BB77750_IES			
CC	77	7 x 7	29100	29700	30000	218	EFHH01_CC77730_IES	EFHH01_CC77740_IES	EFHH01_CC77750_IES			
DD	77	7 x 7	34000	34700	35000	266	EFHH01_DD77730_IES	EFHH01_DD77740_IES	EFHH01_DD77750_IES			
EE	77	7 x 7	37900	38700	39000	297	EFHH01_EE77730_IES	EFHH01_EE77740_IES	EFHH01_EE77750_IES			
AA	76	7 x 6	18500	18800	19000	150	EFHH01_AA76730_IES	EFHH01_AA76740_IES	EFHH01_AA76750_IES			
BB	76	7 x 6	25700	26200	26500	194	EFHH01_BB76730_IES	EFHH01_BB76740_IES	EFHH01_BB76750_IES			
CC	76	7 x 6	28400	29000	29300	218	EFHH01_CC76730_IES	EFHH01_CC76740_IES	EFHH01_CC76750_IES			
DD	76	7 x 6	33200	33900	34200	266	EFHH01_DD76730_IES	EFHH01_DD76740_IES	EFHH01_DD76750_IES			
EE	76	7 x 6	37100	37800	38100	297	EFHH01_EE76730_IES	EFHH01_EE76740_IES	EFHH01_EE76750_IES			
AA	66	6 x 6	18200	18600	18800	150	EFHH01_AA66730_IES	EFHH01_AA66740_IES	EFHH01_AA66750_IES			
BB	66	6 x 6	25400	25900	26200	194	EFHH01_BB66730_IES	EFHH01_BB66740_IES	EFHH01_BB66750_IES			
CC	66	6 x 6	28100	28700	29000	218	EFHH01_CC66730_IES	EFHH01_CC66740_IES	EFHH01_CC66750_IES			
DD	66	6 x 6	32800	33500	33800	266	EFHH01_DD66730_IES	EFHH01_DD66740_IES	EFHH01_DD66750_IES			
EE	66	6 x 6	36600	37400	37700	297	EFHH01_EE66730_IES	EFHH01_EE66740_IES	EFHH01_EE66750_IES			
AA	65	6 x 5	17300	17700	17900	150	EFHH01_AA65730_IES	EFHH01_AA65740_IES	EFHH01_AA65750_IES			
BB	65	6 x 5	24100	24600	24800	194	EFHH01_BB65730_IES	EFHH01_BB65740_IES	EFHH01_BB65750_IES			
CC	65	6 x 5	26700	27200	27500	218	EFHH01_CC65730_IES	EFHH01_CC65740_IES	EFHH01_CC65750_IES			
DD	65	6 x 5	31200	31800	32100	266	EFHH01_DD65730_IES	EFHH01_DD65740_IES	EFHH01_DD65750_IES			
EE	65	6 x 5	34800	35500	35800	297	EFHH01_EE65730_IES	EFHH01_EE65740_IES	EFHH01_EE65750_IES			

### TRUNNION MOUNT EFMH PRODUCT DIMENSIONS



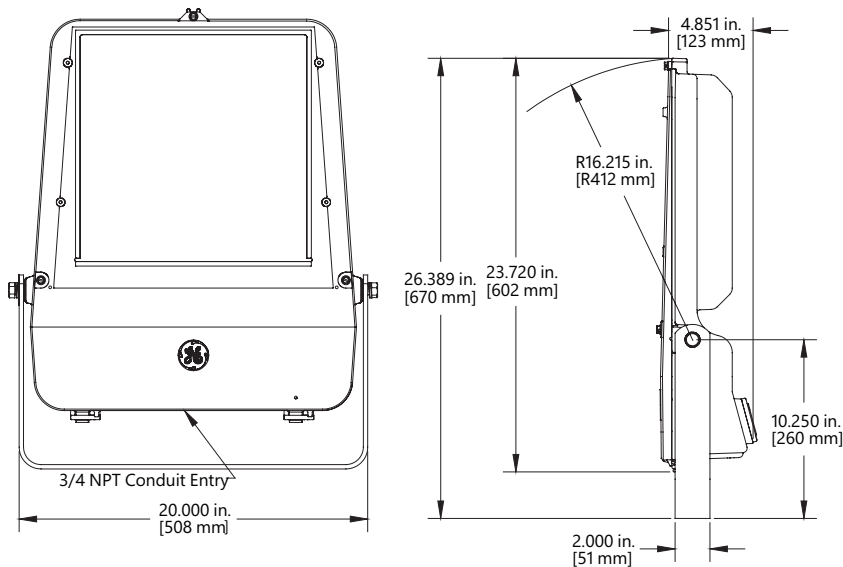
### Mounting Drill Template



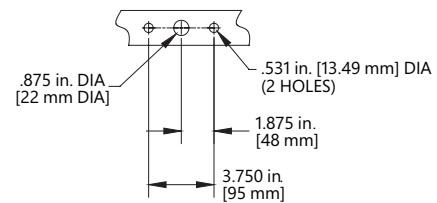
### DATA

- **Approximate net weight:** 25 lbs (11.34 kgs)
- **Effective Projected Area:**
  - 0° aim (vertical glass) 1.96 sq. ft.
  - 45° aim 1.22 sq. ft.
  - Side profile (all aims) 0.73 sq. ft.
  - 90° (downward) aim 0.79 sq. f

### TRUNNION MOUNT EFHH PRODUCT DIMENSIONS



### Mounting Drill Template



### DATA

- **Approximate net weight:** 35 lbs (15.9 kgs)
- **Effective Projected Area:**
  - Vertical 3.51 sq. ft. (0.33 sq. M) (aimed at horizon)
  - Tilted 1.79 sq. ft. (0.17 sq. M) (aimed down 45° degrees).

# Evolve™ LED Hazardous Location Flood

## DEL Evolve™ lampadaire pour zone à risques LuLuz LED de foco de Evolve™ para lugares peligrosos

(EFHH - EFMH)



**BEFORE YOU BEGIN**  
**AVANT DE COMMENCER**  
**ANTES DE COMENZAR**

Read these instructions completely and carefully.  
Save these instructions for future use.

Lisez ces instructions entièrement et attentivement.  
Conservez ces instructions pour usage futur.

Lea estas instrucciones completamente y con cuidado.  
Guarda esta guía para uso futuro.



### ⚠ WARNING / AVERTISSEMENT / ADVERTENCIA

#### RISK OF ELECTRIC SHOCK OR FIRE

To reduce risk of electric shock or ignition of hazardous atmospheres, disconnect the luminaire from supply circuit before opening. Keep tightly closed when in operation.

#### RISK OF INJURY OR DAMAGE

Unit will fall if not installed properly. Follow installation instructions.

#### RISQUE D'ÉLECTROCUTION OU D'INCENDIE

Pour limiter le risque d'électrocution ou d'inflammation d'atmosphères dangereuses, déconnectez le luminaire de sa source de courant avant de l'ouvrir. Lorsqu'il est en service, maintenez-le bien fermé.

#### RISQUE DE BLESSURES OU DE DOMMAGES

L'appareil va tomber s'il n'est pas installé correctement. Respectez les instructions d'installation.

#### RIESGO DE CHOQUE ELÉCTRICO O DE FUEGO.

Para reducir el riesgo de choque eléctrico o el incendio de atmósferas peligrosas, desconecte la luminaria del circuito de alimentación antes de abrirla. Manténgala bien cerrada cuando esté en funcionamiento.

#### RIESGO DE LESIONES O DAÑOS

La unidad se caerá si no está instalada correctamente. Siga las instrucciones de instalación.

### ⚠ CAUTION / ATTENTION / PRECAUCIÓN

#### RISK OF INJURY

Wear safety glasses and gloves during installation and servicing.

#### RISK OF INJURY

The luminaire should be mounted so that prolonged staring into the luminaire at a distance closer than 0.50m is not expected.

#### RISQUE DE BLESSURE

Lors de l'installation ou d'un entretien, portez des lunettes de sécurité et des gants.

#### RISQUE DE BLESSURE

Ce luminaire doit être installé de manière à ce qu'il ne soit pas possible de le regarder directement à une distance de moins de 50 cm.

#### RIESGO DE LESIONES

Utilice gafas y guantes de seguridad durante la instalación y mantenimiento.

#### RIESGO DE LESIONES

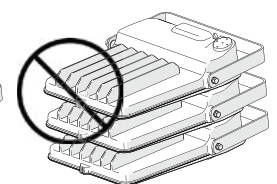
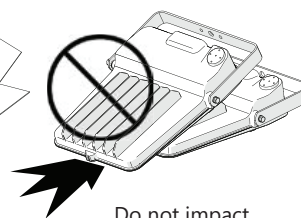
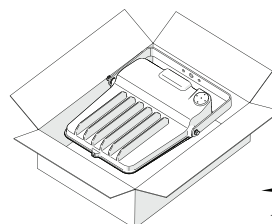
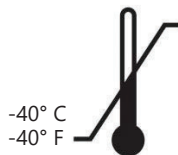
La luminaria debe ser montada de modo que no se espere una mirada fija hacia esta, a distancias menores a 0.50 m, por tiempo prolongado.

## ① Storage & Handling/Entreposage Et Manipulation/Almacenamiento Y Manipulación



-40° C  
-40° F

+50° C  
+122° F



Store packaged units in a covered dry area  
Entreposer les appareils emballés dans un endroit sec et couvert  
Almacene las unidades embaladas en un área cubierta

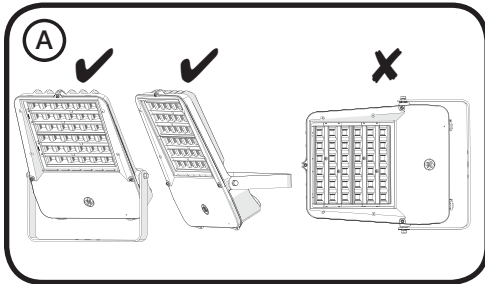
Check for damage  
Vérifier s'il y a des dommages  
Verificar si hay daños

Do not impact  
Éviter les chocs  
No impactar

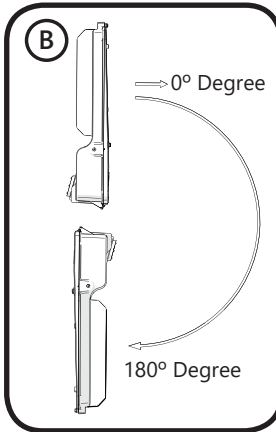
Do not stack  
Ne pas empiler  
No apilar



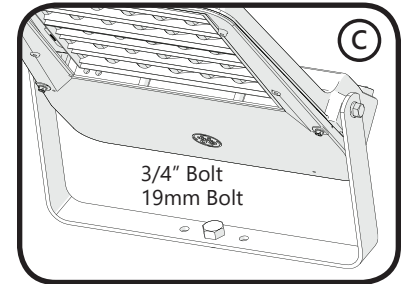
## ② Mounting/Montage/Montaje-(Wall & Ceiling/Mur et Plafond/Pared y techo)



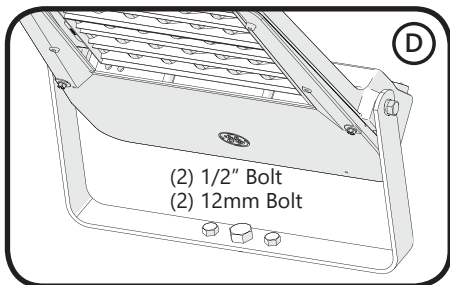
No vertical trunnion mounting on wall allowed.  
Un tourillon de montage vertical n'est pas permis sur un mur.  
No se permite el montaje vertical de muñón en la pared.



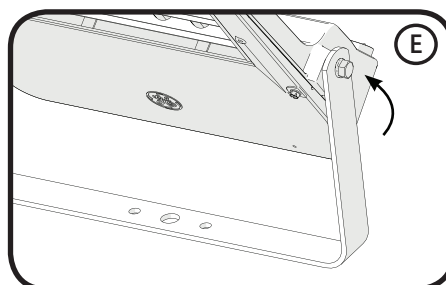
For Class II optical aimed horizontal or downward only.  
Pour une optique de classe 2, uniquement visée horizontale ou vers le bas.  
Para óptico de clase II que solamente se apunta horizontal o hacia abajo.



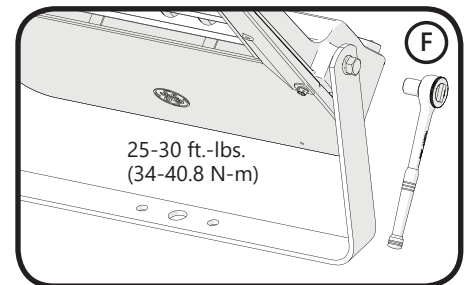
Mount to flat surface. Bolts not included.  
Ouvrir le collier au diamètre extérieur du tuyau.  
Abra la abrazadera hasta empatar el diámetro del tubo.



For 3G applications and mounting surface less than 16 inches, 3 bolts required. Bolts not included.  
Pour les applications 3G et une surface de montage de moins de 40.6 cm, il faut 3 boulons. Les boulons ne sont pas inclus.  
Para aplicaciones de 3G y superficie de montaje de menos de 40.6 cm se requieren 3 pernos. Pernos no incluidos.



Orient luminaire and secure side bolts.  
Orientez le luminaire et mettez les boulons latéraux en place.  
Oriente la luminaria y asegure los pernos laterales.



Once desired angle, tighten bolts evenly.  
Lorsque monté à l'angle voulu, serrez les boulons uniformément.  
Una vez que se consigue el ángulo deseado, apriete los pernos uniformemente.

### ⚠ WARNING / AVERTISSEMENT / ADVERTENCIA

#### RISK OF DAMAGE

Do not torque trunnion bolts greater than 30 ft.-lbs. Damage may occur.

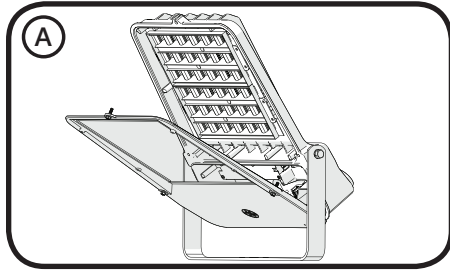
#### RISQUE DE DÉGÂTS

Ne serrez pas les boulons du tourillon à plus de 4.1 daNm sous risque de dégâts.

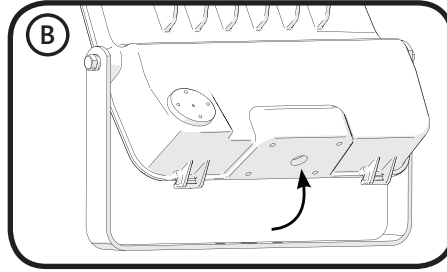
#### RIESGO DE DAÑOS

No tuerza los pernos de muñón a una fuerza más a de 4.1 decámetros Newton. Pueden producirse daños

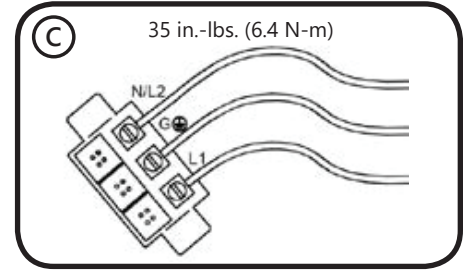
### ③ Wiring/Câblage/Cableado



Loosen 3 captive screws and open door.  
Sauf captif, détacher et enlever la porte.  
De no estar fijo, desacoplar/quitar puerta.



Install 3/4 inch NPT conduit.  
Installez un conduit de 1.91 cm NPT.  
Instale un conducto NPT de 1.91 cm.



Secure minimum 90°C wire to terminal block.  
Do not use violet and gray dimming leads on the drivers.  
Attachez à la plaque à bornes un fil de 90°C minimum. N'utilisez pas de fils violets ou gris de gradation sur l'alimentation.  
Asegure el cable mínimo de 90°C al bloque de terminales. No utilice cables de atenuación violetas y gres.

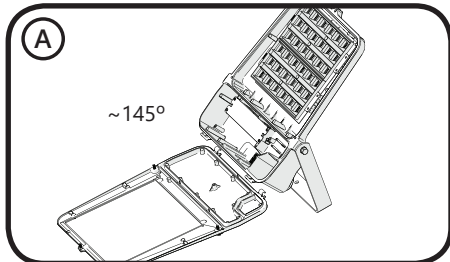
### ⚠ CAUTION / ATTENTION / PRECAUCIÓN

**RISK OF SHOCK OR DAMAGE**  
Follow applicable national and local electrical codes.  
**RISK OF DAMAGE**  
Verify supply voltage and wire insulation temperature rating match nameplate requirements.

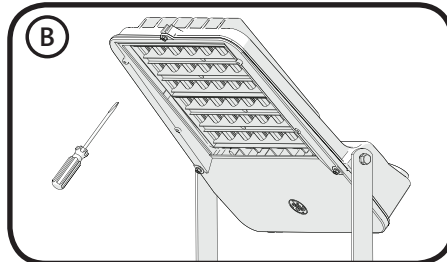
**RISQUE D'ÉLECTROCUTION OU DE DÉGÂTS.**  
Suivez les codes électriques nationaux et locaux applicables.  
**RISQUE DOMMAGES**  
Vérifier que la tension d'alimentation et la température de l'isolation du fil correspondent aux exigences de la plaque signalétique.

**RIESGO DE CHOQUE DE DAÑOS**  
Siga los códigos eléctricos nacionales y locales aplicables.  
**RIESGO DE DAÑOS**  
Verifique que la tensión suministrada y la temperatura de aislamiento del cable coincidan con los requisitos de la placa.

### ④ Door Closing/Fermeture De La Porte/Puerta De Cierre

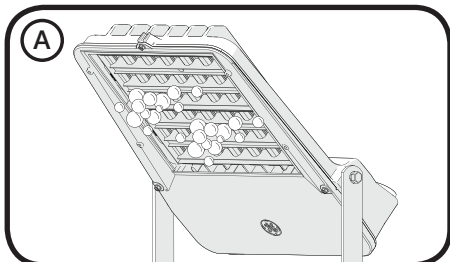


Hang door on hinge, rotate closed.  
Accrocher la porte sur la charnière, faire pivoter pour fermer.  
Cuelgue la puerta en la bisagra, gire para cerrarla.

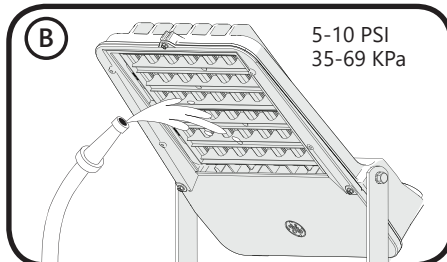


Close and fasten door.  
Fermer la porte et serrer la vis.  
Cerrar y fijar la puerta.

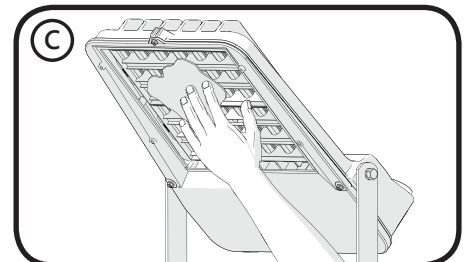
### ⑤ Cleaning/Nettoyage/Limpieza



Use mild soap/detergent.  
Utiliser un savon doux/détergent.  
Use jabón suave /detergente.



Rinse with cool low pressure water.  
Rincer à l'eau froide basse pression.  
Enjuague con agua fría a baja presión.



Wipe dry with clean soft cloth.  
Essuyer avec un chiffon doux et propre.  
Seque con un paño suave y limpio.

**⚠ CAUTION / ATTENTION / PRECAUCIÓN**

**RISK OF DAMAGE.** Do not use soap/detergent containing aromatic hydrocarbons.

**RISQUE DOMMAGES.** Ne pas utiliser de savon/détergent contenant des hydrocarbures aromatiques.

**RIESGO DE DAÑOS.** No utilice jabón/detergente que contenga hidrocarburos aromáticos.

**⑥ Specifications/Spécifications/Especificaciones**

Luminaire Luminaria	Approx. Net Wt. Poids Net Approx. Peso Neto Aprox.	Dimensions Dimensions Dimensiones	IP Rating Classe IP Grado de protección IP	Effective Projected Area Zone de projection efficace Area proyectada efectiva	Ambient Temperature Température Ambiante Temperatura Ambiente
EFMH	25 lbs (11.34 kg)	17.1 x 18.57 x 5.147 in (434 x 471 x 130 mm)	IP66	1.96 ft2 (0.18 m²)	-40° < ta < 50°C
EFHH	35 lbs (15.9 kg)	20 x 26.39 x 4.85 in (508 x 670 x 123 mm)		3.51 ft2 (0.33 m²)	-40° < ta < 50°C

**Operating Temperature Code / Code De Température D'opération / Funcionamiento Del Código De Temperatura**

Luminaire Luminaria	Class I Div. 2 / Group A, B, C, & D Zone 2 Group IIA, IIB, IIC, IIB Plus Hydrogen Classe I Div. 2 / Groupes A, B, C, ET D Zone 2 Groupes IIA, IIB, IIC, IIB Plus Hydrogène Clase I Div. 2 / Grupo A, B, C, Y D Zona 2 Grupo IIA, IIB, IIC, IIB Y Hidrógeno	Class II, Div. 2 / Group F & G Zone 22 Classe II, Div. 2 / Groupes F ET G Zone 22 Clase II, Div. 2 / Grupo F Y G Zona 22	Class I, Div. 2 & Class II Div. 2 Simultaneous Classe I, Div. 2 ET Classe II Div. 2 Simultanés Clase I, Div. 2 Y Clase II Div. 2 Simultáneas
EFMH	T3A	T3A	T3A
EFHH	T3A	T3A	T3A

This device complies with Part 15 of the FCC Rules. Operation is subject to the following two conditions: (1) This device may not cause harmful interference, and (2) this device must accept any interference received, including interference that may cause undesired operation. This Class [A] RFLD complies with the Canadian standard ICES-005. Ce DEFR de la classe [A] est conforme à la NMB-005 du Canada. **Note:** This equipment has been tested and found to comply with the limits for a Class A digital device, pursuant to part 15 of the FCC Rules. These limits are designed to provide reasonable protection against harmful interference when the equipment is operated in a commercial environment. This equipment generates, uses, and can radiate radio frequency energy and, if not installed and used in accordance with the instruction manual, may cause harmful interference to radio communications. Operation of this equipment in a residential area is likely to cause harmful interference in which case the user will be required to correct the interference at his own expense.

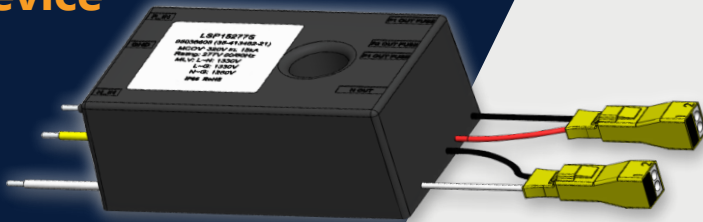
Cet appareil est en conformité avec la section 15 des règlements de la FCC. Sa mise en service est sujette aux deux conditions suivantes : (1) Cet appareil ne peut pas causer des interférences nuisibles, et (2) cet appareil doit accepter toute interférence reçue, y compris les interférences qui pourraient causer un fonctionnement inadéquat. Cette classe [A] RFLD est en conformité avec la norme Canadienne ICES-005. Ce DEFR de la classe [A] est conforme à la NMB-005 du Canada. **Remarque:** Cet équipement a été testé et prouvé être en conformité avec les limites d'un appareil digital de Classe A, suivant la Section 15 des règlements de la FCC. Ces limites sont établies pour assurer une protection raisonnable contre les interférences nuisibles lorsque l'équipement est mis en service dans un environnement commercial. Cet équipement émet, utilise et peut radier une énergie de radiofréquence et, s'il n'est pas installé et utilisé suivant les instructions du manuel, pourrait causer des interférences nuisibles aux communications radio. L'opération de cet équipement dans une zone résidentielle va probablement causer des interférences nuisibles auquel cas l'utilisateur a l'obligation de corriger le problème à ses propres frais.

Este dispositivo cumple con la parte 15 del reglamento FCC. El manejo está sujeto a las siguientes dos condiciones: (1) Este dispositivo no debe causar interferencias perjudiciales y (2) este dispositivo debe aceptar cualquier interferencia recibida, incluyendo interferencias que puedan causar funcionamiento no deseado. Esta RFLD (identificación por radiofrecuencia, DEFR) de clase [A] cumple con la norma canadiense CAN ICES-005 (A) / NMB-005 (A). Ce DEFR de la classe [A] est conforme à la NMB-005 du Canada. **Nota:** Este equipo ha sido probado y cumple con los límites para un dispositivo digital de clase A, de acuerdo con la parte 15 del reglamento FCC. Estos límites están diseñados para proporcionar protección contra interferencias perjudiciales al operar el equipo en un entorno comercial. Este equipo genera, utiliza, y puede irradiar energía de radiofrecuencia y, si no se instala y utiliza de acuerdo con el manual de instrucciones, puede causar interferencias perjudiciales a las comunicaciones por radio. Operar este equipo en una zona residencial podría causar interferencias perjudiciales, en cuyo caso el usuario deberá corregir las interferencias bajo su cargo.

These instructions do not purport to cover all details or variations in equipment nor to provide for every possible contingency to be met in connection with installation, operation or maintenance. Should further information be desired or should particular problems arise which are not covered sufficiently for the purchaser's purposes, the matter should be referred to Current. Ces instructions ne prétendent pas couvrir tous les détails ou variantes de l'équipement ni couvrir toutes les conditions possibles à satisfaire en rapport avec l'installation, l'opération ou l'entretien. Si des informations supplémentaires sont souhaitées sur des aspects qui ne sont pas suffisamment couverts pour satisfaire les besoins du client, ou si des problèmes particuliers se présentent, veuillez adresser ces questions à Current.

Estas instrucciones no pretenden cubrir todos los detalles o variaciones en el equipo ni para prever cualquier contingencia que debe cumplir en relación con la instalación, la operación o el mantenimiento. De ser deseada más información o se surgieran problemas particulares que no están cubiertos suficientemente para los propósitos del comprador, favor de remitirse a Current.

## Surge Protection Device



Project Name \_\_\_\_\_

Date \_\_\_\_\_ Type \_\_\_\_\_

Notes \_\_\_\_\_

Surge Protection is more important than ever for electronic power supplies and LED system longevity. Studies show an increasing trend in lightning strike activity in the US over the past 20 years **and projected into the future.\*** - How confident are you that your Surge Protection Device is tested and rated for **MULTIPLE** strikes?

\*Rombs, D.M., Seely, J.T., Vollaro D., Molinari, J.: SCIENCE, 14 Nov 2014, Vol 346, Issue 6211 pp. 851-854

## Did You Know?

A Surge Protection Device (SPD) may survive one C62.41.2 "High" level surge, but does it meet the repetitive surge and multi-strike requirements of ANSI C136.2's luminaire testing protocol.

There are major differences between a performance claim using C62.41.2 and comprehensive luminaire testing using C136.2.

### C136.2-2018 Test & Protocol

#### Defines Exact Test Procedure

- Defines a power source impedance representative of outdoor power distribution networks. **(Very Important)**
- Defines number of strikes, coupling modes, surge polarity, and surge phase vs AC cycle.
- Defines pre-test requirements to verify surge generator is working as intended.
- Defines pre and post test electrical measurements to verify luminaire is undamaged.
- Defines which C62.41.2 waveforms to use for testing luminaires.

**Source:** American National Standard for Roadway & Area Lighting Equipment - Dielectric Withstand and Electrical Transient Immunity Requirements.

### C62.41.2-2002 Waveforms & Categories

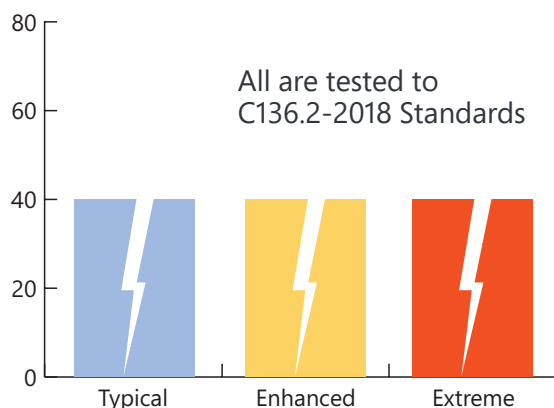
#### Defines the Surge Test Waveform

- Defines test waveforms and electrical conditions for various types of potential surge events.
- Defines recommended peak voltage and current levels for product locations and exposure conditions.
- Surge pulse levels for C62.41.2 category C, Low, Medium, and High equate to C136.2 Typical, Enhanced, and Extreme.

**Source:** IEEE Recommended Practice on Characterization of Surges in Low Voltage (1000 V and Less) AC Power Circuits.

## Current offers 3 levels of protection to make sure you are covered:

- **"TYPICAL"** (40 Strikes) = ANSI C136.2-2018 rated 6kV/3kA
- **"ENHANCED"** (40 Strikes) = ANSI C136.2-2018 rated 10kV/5kA **(Option R)**
- **"EXTREME"** (40 Strikes) = ANSI C136.2-2018 rated 20kV/10kA **(Option T)**





# Lumination

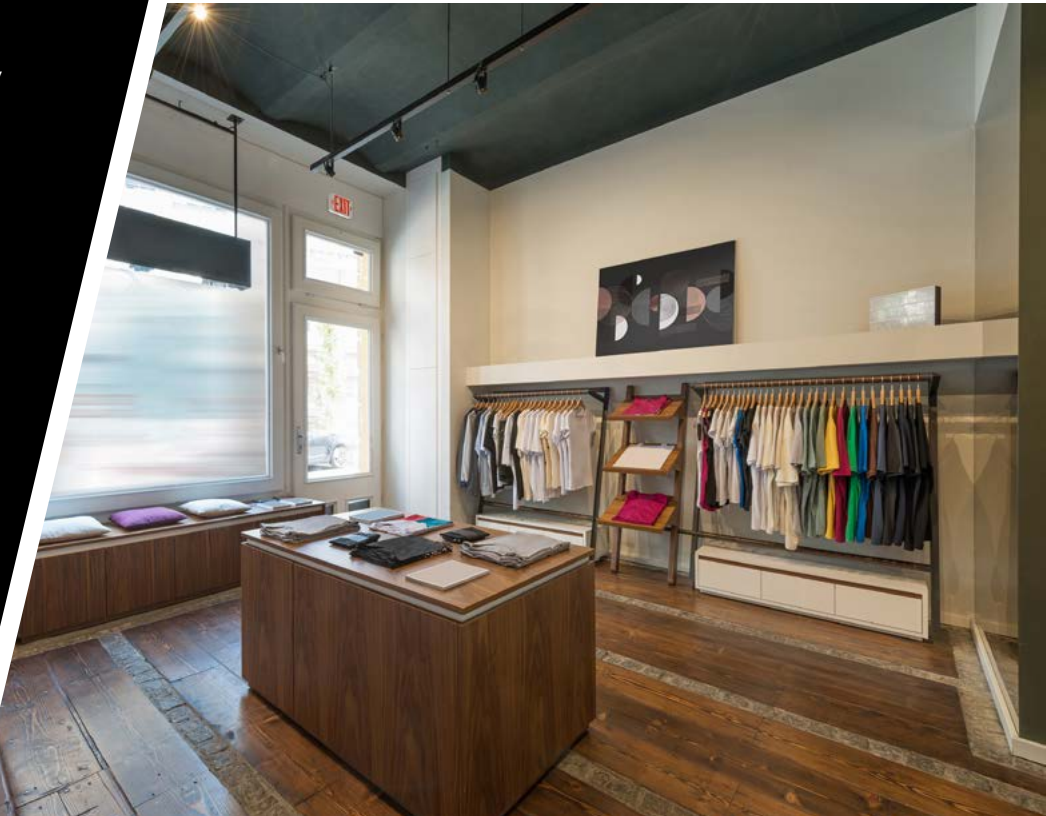
LIFE SAFETY PRODUCTS



# Lumination

The Lumination LED Series offers economical energy saving fixtures for use in commercial or light industrial applications. The Lumination LED Series is engineered to provide Life Safety compliance and peace of mind by offering compact, architectural and highly reliable products that can be readily purchased and easily installed without compromise.

- UL924 Life Safety Listed
- Long-life LED operation
- Includes premium long-life battery
- Low energy consumption
- Bright and even EXIT illumination
- Fully adjustable optics
- Indoor and outdoor applications
- Matching remotes



# EXITS AND COMBOS

## LUX

### LED Exit Sign



- AC only or Emergency with battery models
- Universal single or double-face
- Remote capacity or extended run-time option
- Removeable chevrons for flexibility in the field
- Matching indoor or outdoor remote heads
- Damp Location Listed

Lumination #	Part #	Description	Stock Location Harrisburg, PA	Wt. Each	Master Qty.
93162242	LUXAR	White Thermoplastic Exit, Universal Face, Red LED AC Only Exit	•	2.0 lbs.	6
93162246	LUXER	White Thermoplastic Exit, Universal Face, Red LED Emergency Exit, NiCad Battery	•	2.2 lbs.	6
93162250	LUXERRC	White Thermoplastic Exit, Universal Face, Red LED Emergency Exit, Remote Capacity, NiMh Battery	•	2.2 lbs.	6
93162244	LUXAG	White Thermoplastic Exit, Universal Face, Green LED AC Only Exit	•	2.0 lbs.	6
93162248	LUXEG	White Thermoplastic Exit, Universal Face, Green LED Emergency Exit, NiCad Battery	•	2.2 lbs.	6
93162251	LUXEGRC	White Thermoplastic Exit, Universal Face, Green LED Emergency Exit, Remote Capacity, NiMh Battery	•	2.2 lbs.	6
93162243	LUXARB	Black Thermoplastic Exit, Universal Face, Red LED AC Only Exit	•	2.0 lbs.	6
93162247	LUXERB	Black Thermoplastic Exit, Universal Face, Red LED Emergency Exit, NiCad Battery	•	2.2 lbs.	6
93162245	LUXAGB	Black Thermoplastic Exit, Universal Face, Green LED AC Only Exit	•	2.0 lbs.	6
93162249	LUXEGB	Black Thermoplastic Exit, Universal Face, Green LED Emergency Exit, NiCad Battery	•	2.2 lbs.	6



## LUEL

### LED Edge-Lit Exit

- Recessed or Surface mount models
- Brushed Aluminum Housing with Acrylic Panels
- Panel illumination in red or green letters
- Mirror divider on single and double-face models

Lumination #	Part #	Description	Stock Location Harrisburg, PA	Wt. Each	Master Qty.
93162277	LUELS1RN	Surface Edgelit Exit, Single Face, Red Letters, Mirror Panel, Aluminum Housing, AC Only	•	3.0 lbs.	6
93162278	LUELS1RNE	Surface Edgelit Exit, Single Face, Red Letters, Clear Panel, Aluminum Housing, Battery Backup	•	3.0 lbs.	6
93162281	LUELS2RN	Surface Edgelit Exit, Double Face, Red Letters, Mirror Panel, Aluminum Housing, AC Only	•	3.0 lbs.	6
93162282	LUELS2RNE	Surface Edgelit Exit, Double Face, Red Letters, Mirror Panel, Aluminum Housing, Battery Backup	•	3.0 lbs.	6
93162269	LUELR1RN	Recessed Edgelit Exit, Single Face, Red Letters, Mirror Panel, Aluminum Housing, AC Only	•	6.0 lbs	3
93162270	LUELR1RNE	Recessed Edgelit Exit, Single Face, Red Letters, Mirror Panel, Aluminum Housing, Battery Backup	•	6.0 lbs	3
93162273	LUELR2RN	Recessed Edgelit Exit, Double Face, Red Letters, Mirror Panel, Aluminum Housing, AC Only	•	6.0 lbs	3
93162274	LUELR2RNE	Recessed Edgelit Exit, Double Face, Red Letters, Mirror Panel, Aluminum Housing, Battery Backup	•	6.0 lbs	3
93162275	LUELS1GN	Surface Edgelit Exit, Single Face, Green Letters, Mirror Panel, Aluminum Housing, AC Only	•	3.0 lbs.	6
93162276	LUELS1GNE	Surface Edgelit Exit, Single Face, Green Letters, Clear Panel, Aluminum Housing, Battery Backup	•	3.0 lbs.	6
93162279	LUELS2GN	Surface Edgelit Exit, Double Face, Green Letters, Mirror Panel, Aluminum Housing, AC Only	•	3.0 lbs.	6
93162280	LUELS2GNE	Surface Edgelit Exit, Double Face, Green Letters, Mirror Panel, Aluminum Housing, Battery Backup	•	3.0 lbs.	6
93162267	LUELR1GN	Recessed Edgelit Exit, Single Face, Green Letters, Mirror Panel, Aluminum Housing, AC Only	•	6.0 lbs	3
93162268	LUELR1GNE	Recessed Edgelit Exit, Single Face, Green Letters, Mirror Panel, Aluminum Housing, Battery Backup	•	6.0 lbs	3
93162271	LUELR2GN	Recessed Edgelit Exit, Double Face, Green Letters, Mirror Panel, Aluminum Housing, AC Only	•	6.0 lbs	3
93162272	LUELR2GNE	Recessed Edgelit Exit, Double Face, Green Letters, Mirror Panel, Aluminum Housing, Battery Backup	•	6.0 lbs	3



# EXITS AND COMBOS



## LUCESQ

### LED Square Combo

- Offering the popular square head look
- Lamp-heads are fully adjustable
- Damp Location Listed
- Removable chevrons for flexibility in the field

Lumination #	Part #	Description	Stock Location Harrisburg, PA	Wt. Each	Master Qty.
93162259	LUCERSQ	White Finish, Square Lamp Heads, Universal Exit Face, Red Letters, NiCad Battery	•	2.5 lbs.	6
93162260	LUCEGSQ	White Finish, Square Lamp Heads, Universal Exit Face, Green Letters, NiCad Battery	•	2.5 lbs.	6



## LUCE

### LED Combo

- Offering the favored round head look
- Canopy included for Ceiling/End Mount
- Molded-in template for quick wall mount installation
- Removeable chevrons for flexibility in the field
- Remote capacity or extended run-time option
- Damp Location Listed

Lumination #	Part #	Description	Stock Location Harrisburg, PA	Wt. Each	Master Qty.
93162252	LUCER	White Finish, Round Lamp Heads, Universal Exit Face, Red Letters, NiCad Battery	•	2.5 lbs.	6
93162254	LUCERRC	White Finish, Round Lamp Heads, Universal Face, Red Letters, Remote Capacity, NiMh Battery	•	2.5 lbs.	6
93162256	LUCEG	White Finish, Round Lamp Heads, Universal Exit Face, Green Letters, NiCad Battery	•	2.5 lbs.	6
93162258	LUCEGRC	White Finish, Round Lamp Heads, Universal Face, Green Letters, Remote Capacity, NiMh Battery	•	2.5 lbs.	6
93162253	LUCERB	Black Finish, Round Lamp Heads, Universal Exit Face, Red Letters, NiCad Battery	•	2.5 lbs.	6
93162255	LUCERRCB	Black Finish, Round Lamp Heads, Universal Face, Red Letters, Remote Capacity, NiMh Battery	•	2.5 lbs.	6
93162257	LUCEGB	Black Finish, Round Lamp Heads, Universal Exit Face, Green Letters, NiCad Battery	•	2.5 lbs.	6





# EMERGENCY LIGHTS



## LUMEL

### LED Emergency Light

- Extended runtime or remote capacity models
- Dual voltage input 120/277VAC, 60 Hz.
- Long-life Nickel Cadmium or Nickel Metal Hydride battery
- Matching remote heads
- UL 924 Listed for damp location

Lumination #	Part #	Description	Stock Location Harrisburg, PA	Wt. Each	Master Qty.
93162232	LUMEL	White Finish, Round Head LED Emergency Light, 120/277 Input, NiCad Battery, CEC T20 Compliant	•	1.0 lbs.	12
93162233	LUMELRC	White Finish, Round Head LED Emergency Light, 120/277 Input, NiMh Battery, Remote Capacity	•	1.0 lbs.	12
93162234	LUMELB	Black Finish, Round Head LED Emergency Light, 120/277 Input, NiCad Battery, CEC T20 Compliant	•	1.0 lbs.	12
93162235	LUMELRCB	Black Finish, Round Head LED Emergency Light, 120/277 Input, NiMh Battery, Remote Capacity	•	1.0 lbs.	12



## LUMELSQ

### LED Emergency Light with Square Heads

- Offering the popular square head look
- Wall or Ceiling Mount
- Remote capacity or extended run-time option
- Long-life Nickel Cadmium or Nickel Metal Hydride battery
- Provided with test switch and AC-On indicator

Lumination #	Part #	Description	Stock Location Harrisburg, PA	Wt. Each	Master Qty.
93162236	LUMELSQ	White Finish, Square Head Emergency Light, 120/277VAC Input, NiCad Battery	•	1.0 lbs.	12
93162237	LUMELRCSQ	White Finish, Square Head Emergency Light, 120/277VAC Input, NiMh Battery, Remote Capacity	•	1.0 lbs.	12



## LUMELHL

### LED High Lumen Emergency Light

- 55' or 95' Spacing
- Designed for high ceiling height applications
- Dual voltage input 120/277VAC, 50/60 Hz.
- Long life Lithium Iron Phosphate battery
- UL 924 Listed for damp location

Lumination #	Part #	Description	Stock Location Harrisburg, PA	Wt. Each	Master Qty.
93162238	LUMELHL	White housing, 2.7W LED lamps, 550 lumens total	•	2.6 lbs.	6
93162239	LUMEL2HL	White housing, 5.4W LED lamps, 1300 lumens total	•	3.0 lbs.	6



# EMERGENCY LIGHTS



## LUMELWG

### LED Wet Location Emergency Light

- Grey housing
- Corrosion resistant UV stabilized polycarbonate housing
- Remote capacity or extended run-time option
- Fully adjustable lamp-heads
- Water-proof test switch and AC-On indicator
- Wet Location Listed (0°C to 50°C)

Lumination #	Part #	Description	Stock Location Harrisburg, PA	Wt. Each	Master Qty.
93162241	LUMELWG	Wet Location LED Unit, Gray Housing	•	7.5 lbs.	4



## LUMELOD

### LED Outdoor Emergency Light

- Grey housing
- Corrosion resistant UV stabilized polycarbonate housing
- Remote capacity or extended run-time option
- Fully adjustable lamp-heads
- Water-proof test switch and AC-On indicator
- Wet Location Listed (0°C to 50°C)

Lumination #	Part #	Description	Stock Location Harrisburg, PA	Wt. Each	Master Qty.
93162240	LUMELOD	Clear poly-carbonate shield with White Thermoplastic Housing, Dual LED Lamps, UL Wet Location listed, 120/277VAC Input	•	2.5 lbs.	6





# REMOTE HEADS



## LURI

### LED Indoor Remote

- Fully adjustable lamp-heads
- Single or double lamp-head remote with base-plate
- Housing made of white or black high impact UL flame rated thermoplastic

Lumination #	Part #	Description	Stock Location Harrisburg, PA	Wt. Each	Master Qty.
93162266	LURIS	Single Head, White Indoor remote with mounting base	•	1.0 lbs.	20
93162265	LURID	Double Head White Indoor remote with mounting base	•	1.2 lbs.	20

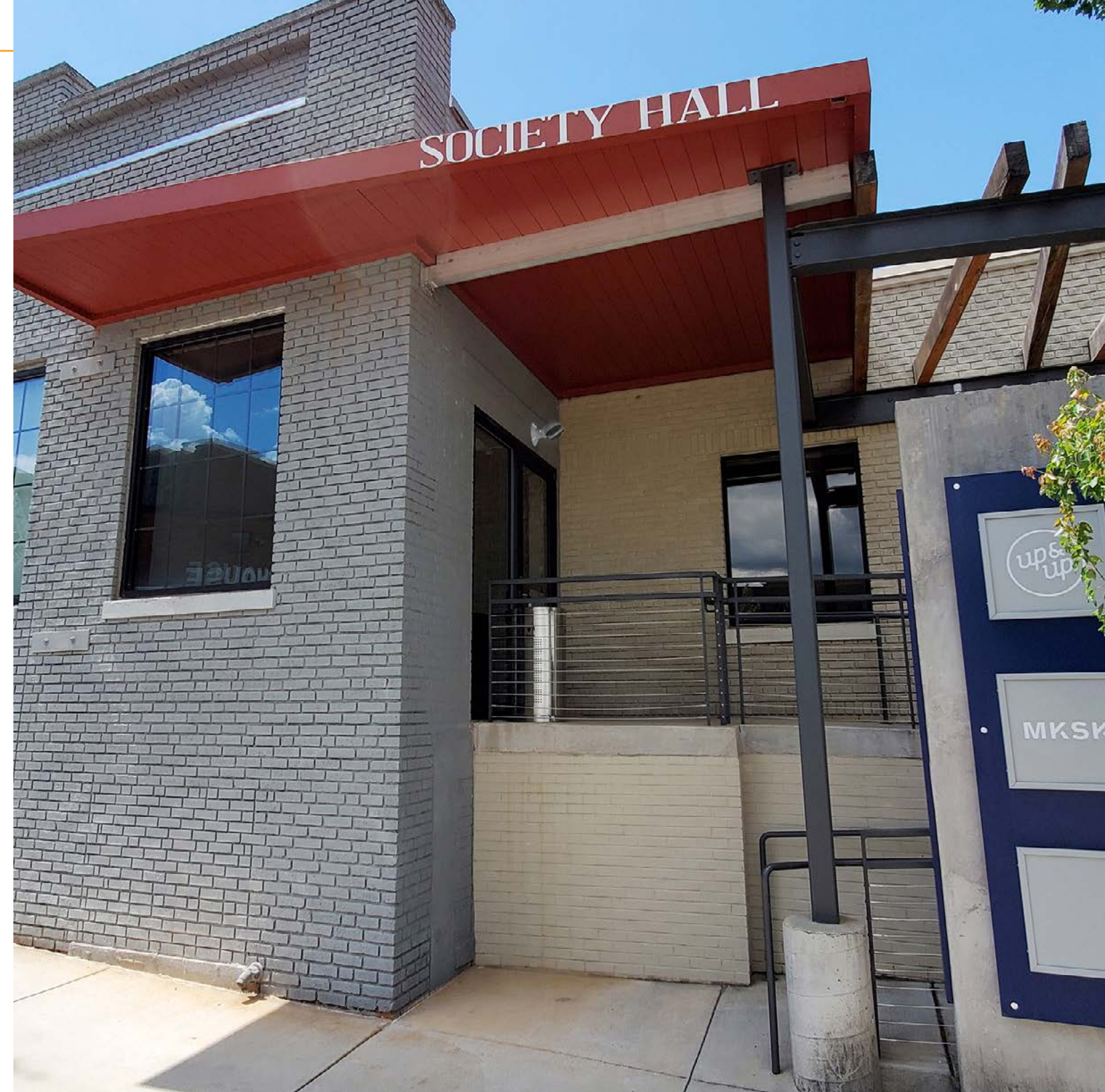


## LURO

### LED Outdoor Remote

- Fully adjustable lamp-heads
- Single or double lamp-head remote with base
- Fully gasketed for application in wet environment
- Housing made of white or black high impact UL flame rated thermoplastic

Lumination #	Part #	Description	Stock Location Harrisburg, PA	Wt. Each	Master Qty.
93162262	LUROS	Single Head, White Outdoor remote with mounting base	•	1.0 lbs.	20
93162261	LUROD	Double Head, White Outdoor remote with mounting base	•	1.2 lbs.	12
93162264	LUROSB	Single Head, Black Outdoor remote with mounting base	•	1.0 lbs.	20
93162263	LURODB	Double Head, Black Outdoor remote with mounting base	•	1.2 lbs.	12





**Current** 

**Current Lighting Solutions, LLC**

25825 Science Park STE 400  
Beachwood, OH 44122-7392

**[gecurrent.com/lumination](https://gecurrent.com/lumination)**

© 2022 Current Lighting Solutions, LLC. All rights reserved. Information and specifications subject to change without notice. All values are design or typical values when measured under laboratory conditions.

Rev 10/04/22

**Lumination Product Brochure\_R01**