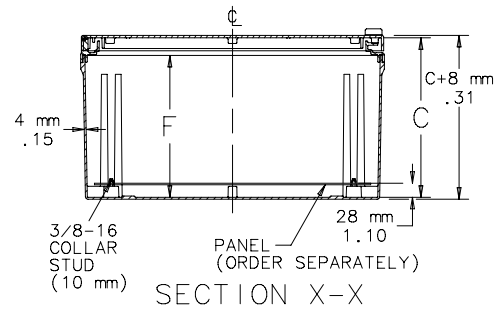
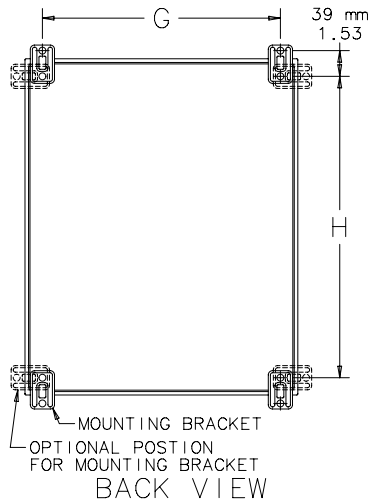
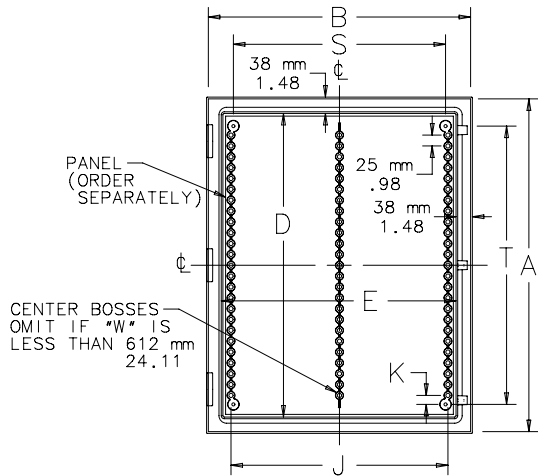
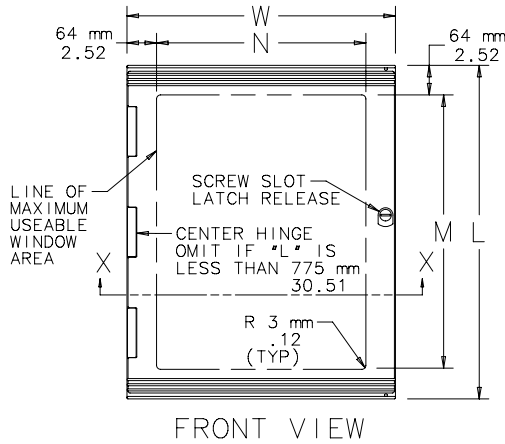




Catalog Number	Door Style	External Dimensions L x W mm/in.	Internal Dimensions A x B x C mm/in.	Panel	Conductive Panel	Panel Size D x E mm/in.	Mounting G x H mm/in.	Window Size M x N mm/in.	F mm/in.	J mm/in.	K mm/in.	S mm/in.	T mm/in.
UU756030W	Window	775 x 612 30.51 x 24.09	758 x 595 x 321 29.84 x 23.43 x 12.64	A30P24	A30P24G	686 x 533 27.01 x 20.98	555 x 718 21.85 x 28.27	648 x 486 25.51 x 19.13	287 11.30	500 19.68	21 0.83	489 19.25	641 25.24
UU1008030	Solid	1025 x 825 40.35 x 32.48	1008 x 808 x 321 39.68 x 31.81 x 12.64	A40P30	A40P30G	940 x 737 37.01 x 29.02	768 x 968 30.24 x 38.11	— —	287 11.30	700 27.56	23 0.91	692 27.24	895 35.24
UU1008030W	Window	1025 x 825 40.35 x 32.48	1008 x 808 x 321 39.68 x 31.81 x 12.64	A40P30	A40P30G	940 x 737 37.01 x 29.02	768 x 968 30.24 x 38.11	898 x 698 35.35 x 27.48	287 11.30	700 27.56	23 0.91	692 27.24	895 35.24

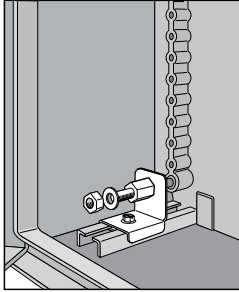
Purchase panels separately.

Note: When installing enclosures in a right-hand hinge application that involves vibration, Hoffman recommends the use of pad-locking or key-locking quarter-turn latch accessories for door securement (UUHPL, UUHL).



C2553-C

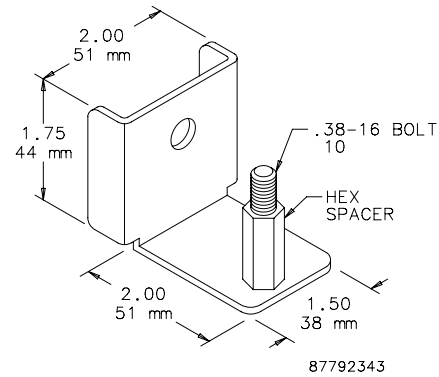
**PANEL BRACKET KIT**



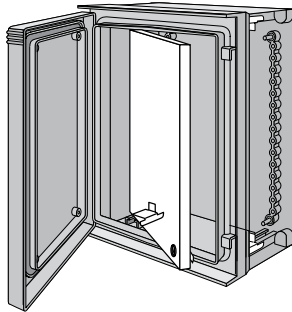
Panel Bracket Kit is used with steel panels and permits panel adjustment from front to rear. Fits all ULTRX sizes. Mounts on integrally molded body rail. Brackets are plated steel. All mounting hardware is included. **Note: Front mounting position is approximately 140mm/5.5 in. back on 400mm enclosures.**

**BULLETIN: UX1Y**

Catalog Number	Description	Pkg. Qty.
UUPB	ULTRX Panel Bracket Kit	4



**SWING-OUT PANEL**



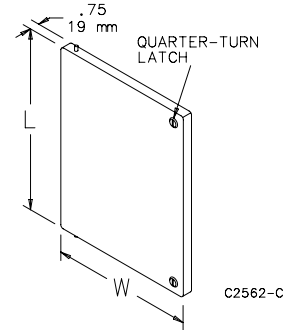
Installs front-mounted panels in ULTRX fiberglass enclosures. The front-mounted swing panel compliments window-door units and is suited for any application requiring a display of gauges, dials or any type of control equipment monitor. Made of 14 gauge steel painted white. Easy installation; no drilling required. Fully adjustable front to rear. Panel and mounting hardware included.

**Note: Front mounting position is approximately 140mm/5.5 in. back on 400mm enclosures.**

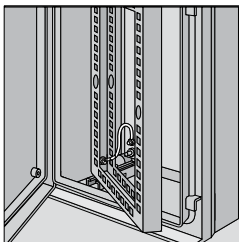
**BULLETIN: UX1Y**

Catalog Number	Fits A x B mm/in.	L mm/in.	W mm/in.
UU5040SP	513 x 413 20.20 x 16.26	432 17.00	330 12.99
UU6050SP	625 x 513 24.61 x 20.20	536 21.10	432 17.00
UU6060SP	625 x 612 24.61 x 24.09	540 21.25	535 21.08
UU7560SP	775 x 612 30.51 x 24.09	687 27.05	535 21.08
UU10080SP	1025 x 825 40.35 x 32.48	935 36.80	737 29.00

Use UU6060SP with DATACOM ULTRX Fiberglass Type 4X WiFi Cabinet.



**GROUNDING DEVICE**



Grounding Device provides a means to attach a grounding conductor to an ULTRX Swing-Out Panel or Swing-Out Frame. Includes all installation hardware and instructions.

**BULLETIN: UX1Y**

Catalog Number	Description
UUGK	ULTRX Grounding Device

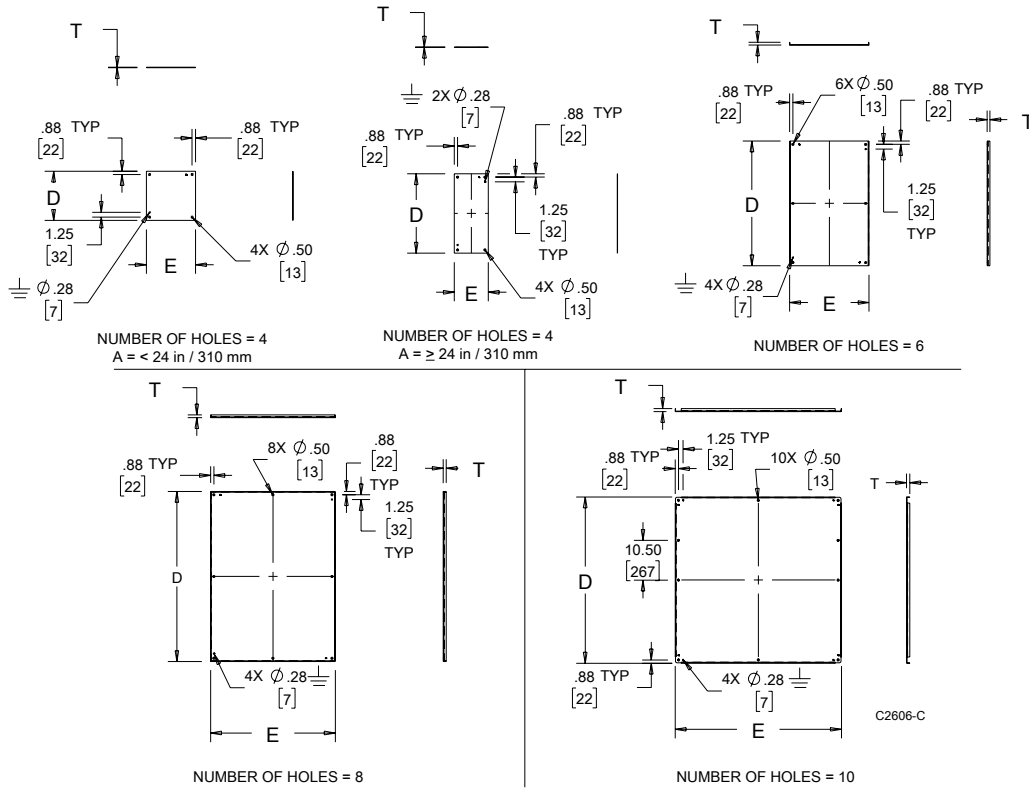
### PANELS FOR TYPE 3R, 4, 4X, 12 AND 13 ENCLOSURES

Steel panels are 12 gauge with a white finish. Panel mounting hardware is furnished with all enclosures that accept these panels.

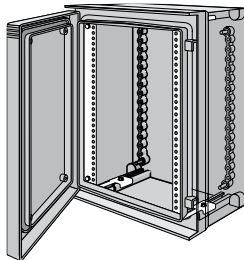
BULLETIN: DWS12, PNLWM

Catalog Number	Flange Thickness T (in.)	Flange Thickness T (mm)	Panel Size D x E (in.)	Panel Size D x E (mm)	Number of Holes	Edge Flanges
A20P16	—	—	17.00 x 13.00	432 x 330	4	0
A24P20	0.75	19	21.00 x 17.00	533 x 432	4	2
A24P24	0.75	19	21.00 x 21.00	533 x 533	4	2
A24P24WD	0.75	19	21.00 x 21.00	533 x 533	4	—
A30P24	0.75	19	27.00 x 21.00	686 x 533	4	2
A40P30	0.75	19	37.00 x 29.00	940 x 737	4	4

Catalog number with "WD" is wood.



### RACK ANGLES (TYPE RA)

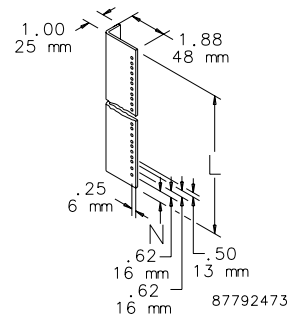


Pairs of full-length rack-mounting angles are available for mounting 1-in. (483-mm) rack-mounted equipment. Type RA angles are 14 gauge steel with .281-in. (7-mm) diameter mounting holes, spaced per EIA standard RS-310-D (universal spacing). Use Clip Nut Package (AN1032) to provide tapped holes at desired locations. Angles and mounting hardware are plated steel. Mounting hardware is furnished.

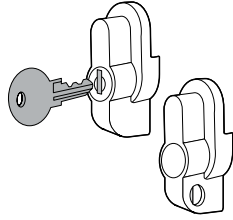
BULLETIN: UX1Y

Catalog Number	Fits A x B mm/in.	L mm/in.	N mm/in.	Rack Units	Pkg. Qty.
UURA6060	610 x 610 24.00 x 24.00	552 21.75	10 .38	12	2
UURA7560	762 x 610 30.00 x 24.00	705 27.75	19 .75	15	2

Use UURA6060 with DATACOM ULTRX Fiberglass Type 4X WiFi Cabinet.



**KEYLOCK KIT AND PADLOCK KIT**



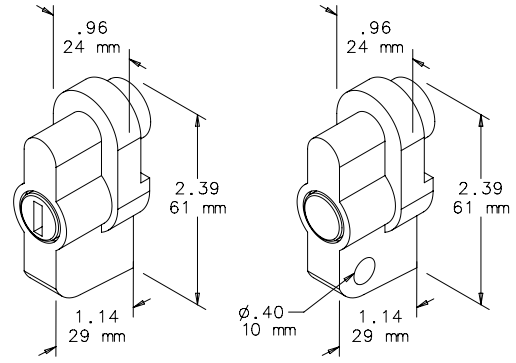
Keylock Kit or pushbutton-style Padlock Kit is easily inserted in latch hole to prevent unauthorized personnel from gaining access to enclosure contents. Each kit is fully assembled for easy installation in the field. Type 316 stainless steel construction.

**BULLETIN: UX1Y**

Catalog Number	Description
UUHKL	Keylock Kit
UUHPL	Padlock Kit

UUHKL: Internal key components are not stainless steel.

UUHPL: Handles maintain UL 508A, Type 3, 4, 4X and 12 when properly installed on a Hoffman enclosure. Set up for 1/4-in. or 3/8-in. padlock.

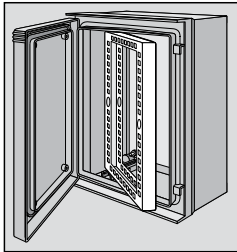


**Keylock Kit**

**Padlock Kit**

87792346

**SWING FRAME**



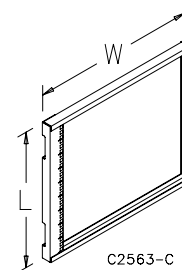
Swing Frame provides 19-in. rack-mounting capabilities with U-Style (Type RA) mounting hole pattern. Quarter-turn latch has 100-degree swing. Adjustable mounting provision. 14 gauge plated steel. Includes mounting hardware. Swing frame maintains enclosure rating if properly installed in a Hoffman enclosure.

**Note:** Front mounting position is approximately 140mm/5.5 in. back on 400mm enclosures.

**BULLETIN: UX1Y**

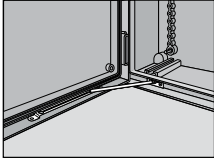
Catalog Number	Fits A x B mm/in.	L mm/in.	W mm/in.	Rack Units
UU6060SF	610 x 610 24.00 x 24.00	540 21.25	535 21.08	11
UU7560SF	762 x 610 30.00 x 24.00	687 27.05	535 21.08	14

Use UU6060SF with DATACOM ULTRX Fiberglass Type 4X WiFi Cabinet.



C2563-C

**DOOR STOP KIT**

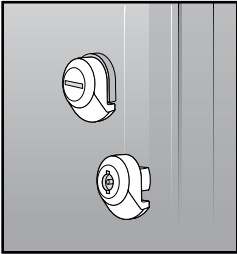


Door Stop Kit limits door to 120-degree opening. Field installable on all sizes of ULTRX enclosures. Type 304 stainless steel construction.

**BULLETIN: UX1Y**

Catalog Number	Description
UUDS	Door Stop Kit

**ULTRX KEY INSERT**

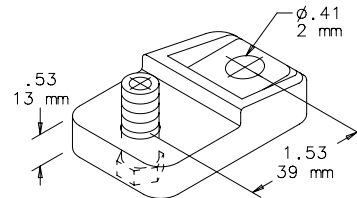
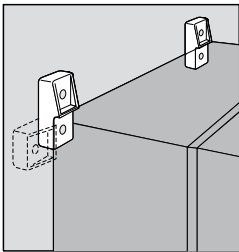


Inserts can be substituted for the standard quarter-turn latch. Inserts are Type 316 stainless steel.

**BULLETIN: UX1Y**

Catalog Number	Insert Type
UUL3DB	Double-bit 3 mm
UULSC	Screw driver slot

**ULTRX MOUNTING BRACKET KIT**



11C59177

Kit is field-installable. Corrosion-resistant fiberglass material. Type 316 stainless steel mounting hardware is included. Four mounting brackets per kit.

**BULLETIN: UX1Y**

Catalog Number	Description	Kit Qty.
UUMF	Mounting Bracket Kit	4

**SCREW INSERT KIT**

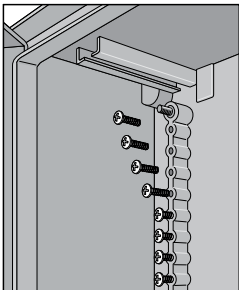


Brass threaded inserts (10-32) with plated screws. Used on door bosses and DIN bosses.

**BULLETIN: UX1Y**

Catalog Number	Description	Kit Qty.
UUMH2	Screw Insert Kit	4 inserts and 4 screws

**SELF-TAPPING SCREWS**



Plated screws (1/4-15 x .88) mount panels and accessories to DIN bosses on back of enclosure.

**BULLETIN: UX1Y**

Catalog Number	Description	Pkg. Qty.
UUMH1	Self-Tapping Screws	10