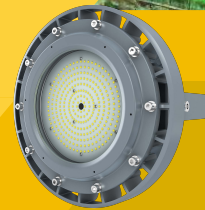




Explosion Proof Light C Series



Industrial Field & Hazardous Locations

VENAS

Applications

Oil and Gas industry

- All petroleum production and refining
- Petroleum loading and transportation
- Petroleum storage and retail
- LNG industry

- All mining operations and service

Chemical industry

- All types of paint facilities
- Chemical production and storage

Ocean, marine and aerospace field

- Ocean platform operation facilities and structure
- Aerospace clean room and production
- Ocean vessel operations

Metal treatment

- Steel and aluminum factories
- Pumping stations in any environment
- Metal smelting, foundry and fabrication

Food and alcohol industry

- Flour and fine particle production and storage
- Food and distilling production
- Alcohol industry

Other high humidity, high dust, high temperature, vapor locations



Explosion Protection

Marking ATEX

II2 G Ex db IIB T6...T3 Gb

II2 D Ex tb IIIC T195C Db IP66

Marking IECEX

Ex db IIB T6...T3 Gb

Ex tb IIIC T195C Db IP66

Marking UL844 (North American)

Class I, Division 1, Groups C, D

Class I, Division 2, Groups A, B, C, D

Class II, Division 1, Groups E, F, G

Class II, Division 2, Groups F, G

Class III

Marine Marking

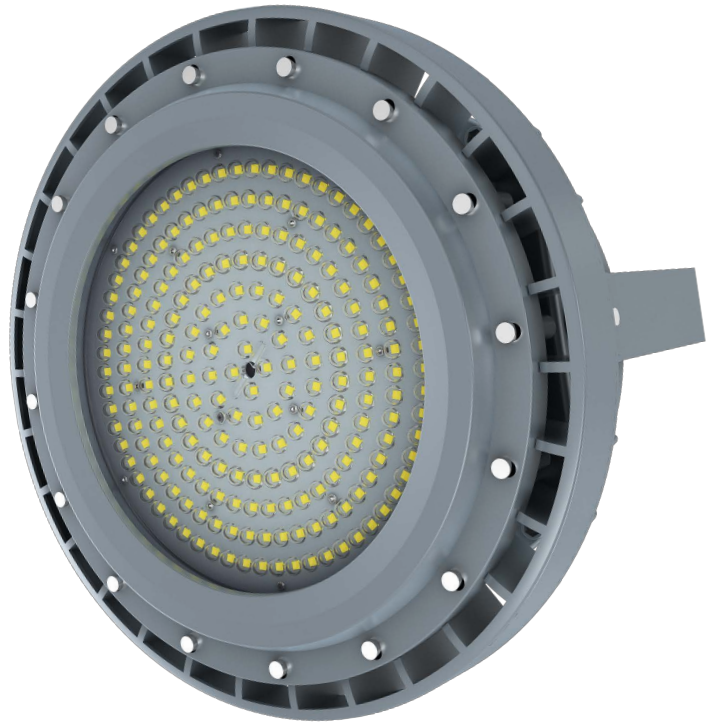
UL 1598, UL1598A

ABS

Other Rating

IP 66

IK 10



Materials

- Housing: Aluminum
- Lens: Tempered glass

- Hardware: stainless steel
- Mounting Bracket: stainless steel

Specification

Model	Wattage	Color Temperature	Voltage	Lumens	Warranty	CRI
EX-20W C2YZDA	20W	2200K-7000K	AC100-277V Or AC200-480V Or DC12-48V	2800	5 years	80
EX-60W C2YZDA	60W			8400		
EX-80W C2YZDA	80W			11200		
EX-100W CYZDA	100W			14000		
EX-150W CYZDA	150W			21000		
EX-200W C3YZDA	200W			28000		
EX-250W C3YZDA	250W			35000		
EX-280W C3YZDA	280W			39200		

"C, C2, C3"=Product code, "Y"=D or N: Dimmable or non-dimmable "Z"=CCT, from 2200-7000K

"D"=Beam angle, D40 for 40°, D60 for 60°, D90 for 90°, D120 for 120°

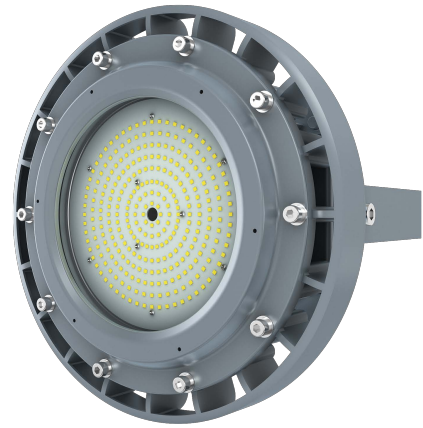
A for glass info. blank for flat glass, C for spherical glass.

Packing Information

Model	Quantity/ Carton	Length(cm)	Width(cm)	Height(cm)	Net weight(kg)	Gross weight(kg)
C	1	55	52	36	17.4	19
C2	1	47	47	34.5	14	16
C3	1	55.5	55.5	34.5	21	25

Features

- Working Temperature: -40°C ~ +60°C.
IECEX: -40°C ~ +80°C.
- High quality SMT LED and Meanwell Driver.
- Light-weight design by aircraft aluminum.
- Heavy-duty and high impact resistance.
- Three connection cable entry points.
- Replaceable LED board and drivers.
- Integrated junction box for driver with emergency back up.
- Dimmable and battery back up function available.
- Marine rating powder coated appearance treatment.
- Up to 5 years limited warranty option.
- Emergency Battery back up to three hours.
- Various installation ways for different applications.
- Glass lens or Glass with polycarbonate lens to make bigger beam angle.



Light Distribution

40D				60D				90D				120D			
Center Beam fc		Beam Width		Center Beam fc		Beam Width		Center Beam fc		Beam Width		Center Beam fc		Beam Width	
4ft	2008fc	4ft	4ft	4ft	1434fc	6ft	5ft	4ft	1024fc	8ft	8ft	4ft	683fc	11ft	11ft
8ft	480fc	7ft	7ft	8ft	343fc	11ft	11ft	8ft	255fc	15ft	16ft	8ft	170fc	21ft	22ft
12ft	203fc	11ft	11ft	12ft	145fc	17ft	14ft	12ft	105fc	24ft	26ft	12ft	73fc	32ft	33ft
16ft	115fc	15ft	16ft	16ft	81fc	22ft	23ft	16ft	58fc	32ft	33ft	16ft	39fc	43ft	45ft
20ft	98fc	19ft	23ft	20ft	69fc	27ft	31ft	20ft	39fc	39ft	45ft	20ft	26fc	53ft	56ft

■ Vert, Spread; 40°	■ Horiz, Spread; 40°
---------------------	----------------------

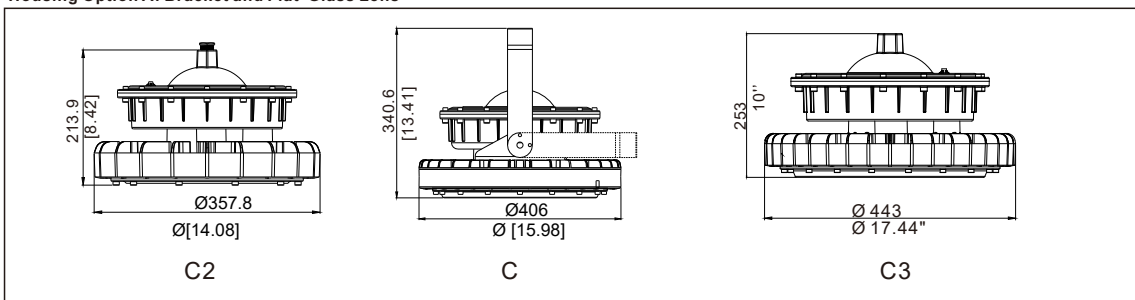
■ Vert, Spread; 60°	■ Horiz, Spread; 60°
---------------------	----------------------

■ Vert, Spread; 90°	■ Horiz, Spread; 90°
---------------------	----------------------

■ Vert, Spread; 120°	■ Horiz, Spread; 120°
----------------------	-----------------------

Dimension Unit: mm or inch

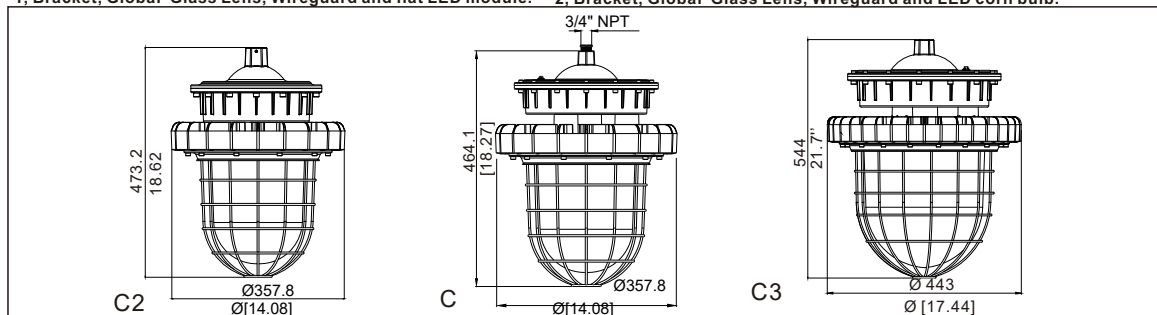
Housing Option A: Bracket and Flat Glass Lens



This structure type with bracket, flat glass and optics lens generates 40°, 60°, 90° and 120° light distribution.

Housing Option B:

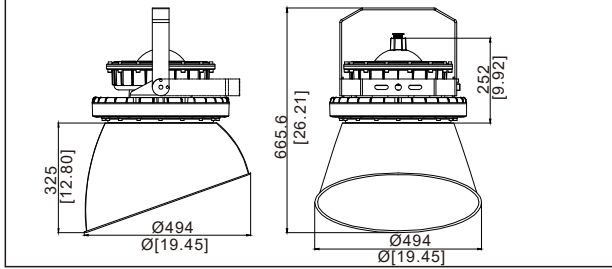
1, Bracket, Global Glass Lens, Wireguard and flat LED module. 2, Bracket, Global Glass Lens, Wireguard and LED corn bulb.



This structure type with bracket, global glass lens and wireguard generates 180° light distribution. We also can put corn bulb in the global glass lens to make this beam angle up to 360°.

Housing Option C

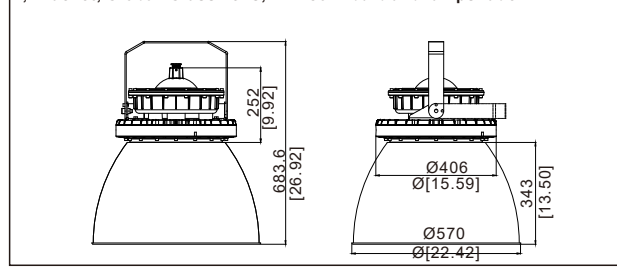
1, Bracket, Global Glass Lens, flat LED module and 30° cut off lampshade.



This structure can make the lighting distribution more concentrated for special beam angle.

Housing Option D

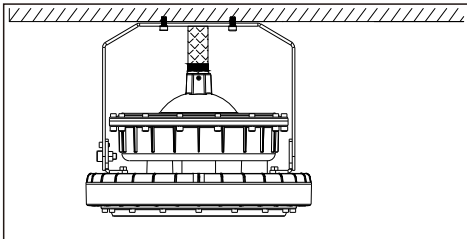
1, Bracket, Global Glass Lens, flat LED module and lampshade.
2, Bracket, Global Glass Lens, LED corn bulb and lampshade.



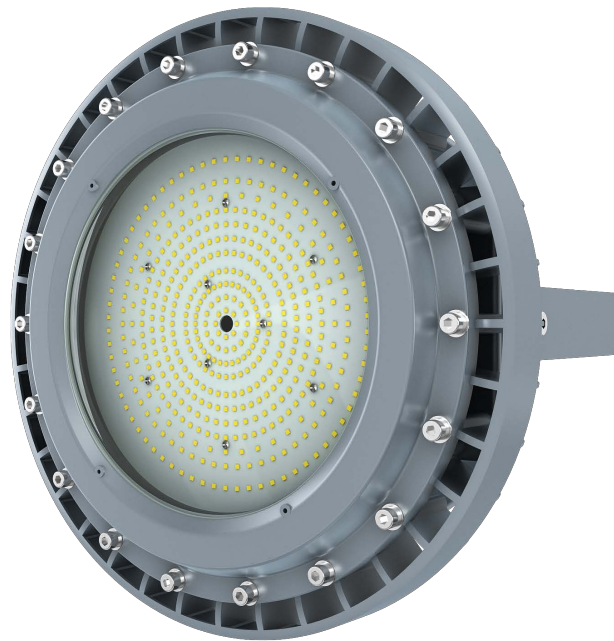
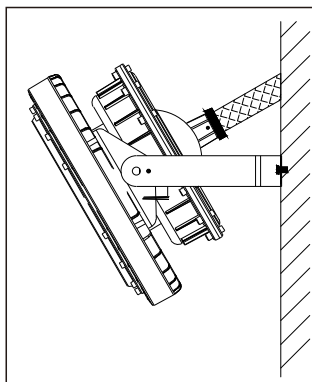
This structure can make the lighting distribution more concentrated.

Mounting

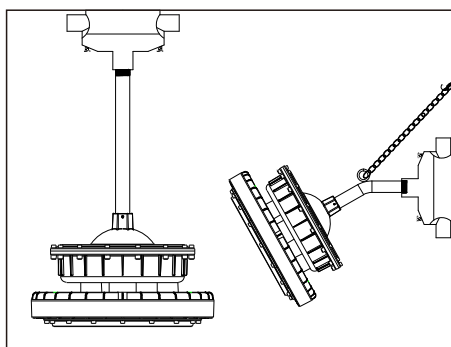
No.1: Ceiling Mounting



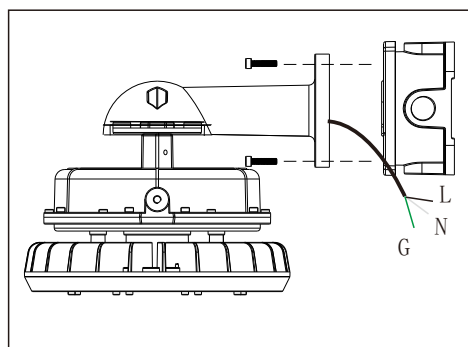
No.2: Wall Mounting



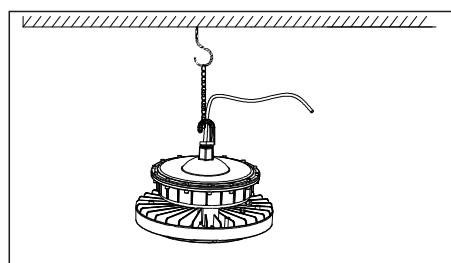
No.3: Pole Mounting



No.5: Wall Mounting to Junction Box



No.4: Hook Pendant Mounting



Accessories



- Model: Ex-Junction01
Name: Junction Box
Material: Aircraft Aluminum A383



- Model: EX-Hook
Name: Installation Hook
Material: Aircraft Aluminum A383



- Model: Ex-Conduit01
Name: Metal Conduit
Material: Stainless Steel and Aluminum



- Model: EX-WPipe
Name: Winding Swing Pipe
Material: Iron with Power Coating



- Model: EX-SPipe
Name: Winding Swing Pipe
Material: Iron with Power Coating



- Model: Ex-D01
Name: Pendant Direction Adapter
Material: Aircraft Aluminum A383



- Model: EX-MArm
Name: Surface Mounting Arm
Material: Aircraft Aluminum A383



- Model: EX-25PSupport
Name: 25 Degree Pole Support
Material: Aircraft Aluminum A383



- Model: EX-90PSupport
Name: 90 Degree Pole Support
Material: Aircraft Aluminum A383



- Model: Ex-90JSupport
Name: 90° Arm to Junction box
Material: Aircraft Aluminum A383



- Model: Ex-25JSupport
Name: 25° Arm to Junction box
Material: Aircraft Aluminum A383



- Model: Ex-DArm
Name: Direct Mounting Arm
Material: Aircraft Aluminum A383



- Model: Ex-ShadeB/B2/B3
Name: Lamp Shade
Material: Aluminum A6061



- Model: Ex-CshadeB/B2/B3
Name: Cut off lamp shade
Material: Aluminum A6061



- Model: Ex-Chain
Name: Pendant Chain
Material: Stainless Steel S30400



C Series

LED Explosion Proof Light



C2

C

C3

Certifications:

- ◆ Marking ATEX
 - ◆ II2 G Ex db IIB T5/T6 Gb
 - ◆ II2 D Ex tb IIIC T80/90C Db IP66
- ◆ Marking IECEx
 - ◆ Ex db IIB T5/T6 Gb
 - ◆ Ex tb IIIC T80/90C Db IP66
- ◆ Marine Marking
 - ◆ UL 1598, UL1598A
 - ◆ ABS
- ◆ Marking UL844 (North American)
 - ◆ Class I, Division 1, Groups C,D
 - ◆ Class I, Division 2, Groups A,B,C,D
 - ◆ Class II, Division 1, Groups E,F,G
 - ◆ Class II, Division 2, Groups F,G
 - ◆ Class III
- ◆ IP66

Standard Materials:

- ◆ Housing: Copper-free aluminum
- ◆ Lens: Tempered glass
- ◆ Hardware: Stainless steel
- ◆ Mounting Bracket: Stainless steel

LED Explosion Proof Light - C Series

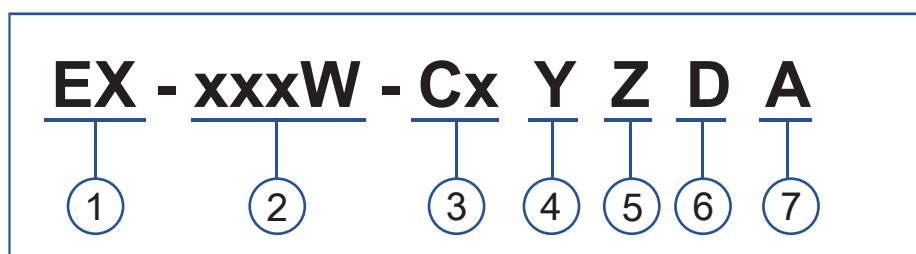
Key Features:

- ① Dimmable and battery backup function is available.
- ② High-quality SMT LED and Meanwell driver.
- ③ Heavy-duty and high impact resistance.
- ④ Replaceable LED board and drivers.
- ⑤ Integrated junction box for driver.
- ⑥ Marine rating powder coated finish treatment.
- ⑦ Various installation ways for different applications.
- ⑧ Glass lens or polycarbonate lens for making different beam angles.

Additional Features:

- ◆ Emergency battery backup is available.
- ◆ 5-year warranty.
- ◆ Working Temperature: -40°C to 60°C (-40°F to 140°F); ATEX & IECEx (IC solution): -40°C to 80°C (-40°F to 176°F).

Catalog Number Logic:



① PRODUCT CATEGORY

- ◆ Explosion proof light

② WATTAGE

- ◆ 20W-280W

③ PRODUCT SERIES

- ◆ C ◆ C2 ◆ C3

④ DIMMING OPTION

- ◆ D= dimmable
- ◆ N= Non-dimmable

⑤ CCT

- ◆ From 2200K to 7000K
- ◆ 22=2200K, 30=3000K, ..., 70=7000K

⑥ BEAM ANGLE

- ◆ D40= 40° ◆ D90= 90°
- ◆ D60= 60° ◆ D120= 120°

⑦ GLASS TYPE

- ◆ A=blank: Flat glass
- ◆ A=C: Spherical glass

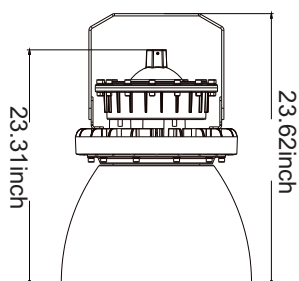
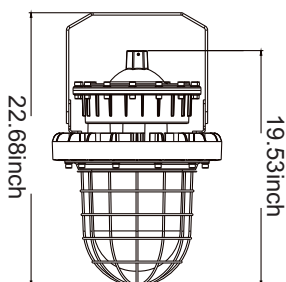
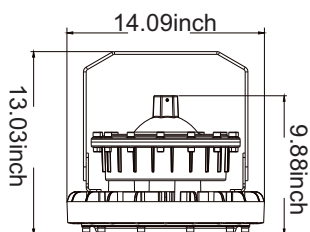
LED Explosion Proof Light - C Series

Technical Data:

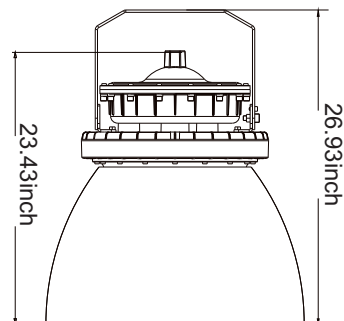
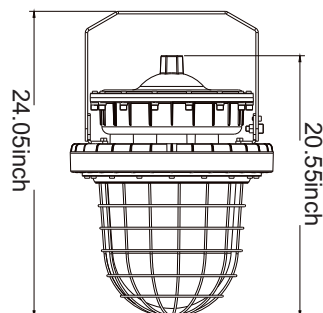
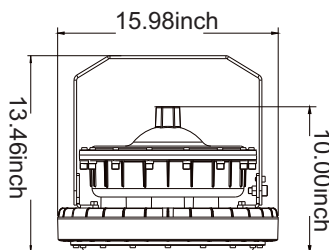
Model	Wattage	Operating Voltage	Lumens (lm)	Efficacy (lm/W)	CRI	CCT	Emergency Time
EX-20W C2YZDA	20W	AC100-277V/DC12-48V, AC200-480V	2,800	140	>70	2200K-7000K	3 hours
EX-40W C2YZDA	40W		5,600				
EX-60W C2YZDA	60W		8,400				
EX-80W C2YZDA	80W		11,200				
EX-100W CYZDA	100W		14,000				
EX-150W CYZDA	150W		21,000				
EX-200W C3YZDA	200W		28,000				
EX-250W C3YZDA	250W		35,000				
EX-280W C3YZDA	280W		39,200				

Dimensions:

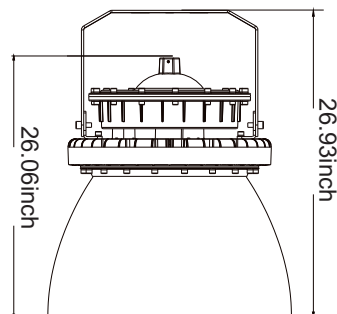
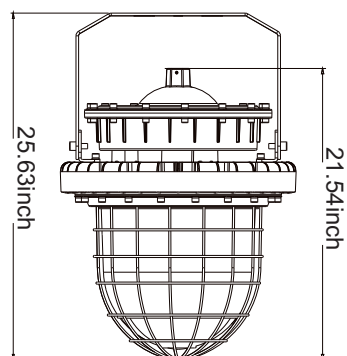
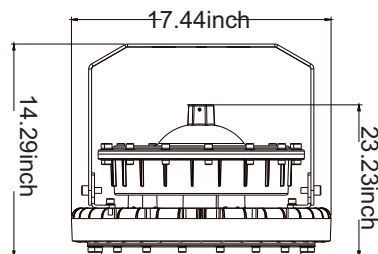
C2 Series



C Series



C3 Series



LED Explosion Proof Light - C Series

Photometry:

Center Beam fc	Beam Width	
4ft	2008fc	4ft
8ft	480fc	7ft
12ft	203fc	11ft
16ft	115fc	15ft
20ft	98fc	19ft

■ Vert, Spread; 40°
■ Horiz, Spread; 40°

40°

Center Beam fc	Beam Width	
4ft	1434fc	6ft
8ft	343fc	11ft
12ft	145fc	17ft
16ft	81fc	22ft
20ft	69fc	27ft

■ Vert, Spread; 60°
■ Horiz, Spread; 60°

60°

Center Beam fc	Beam Width	
4ft	1024fc	8ft
8ft	255fc	15ft
12ft	105fc	24ft
16ft	58fc	32ft
20ft	39fc	39ft

■ Vert, Spread; 90°
■ Horiz, Spread; 90°

90°

Center Beam fc	Beam Width	
4ft	683fc	11ft
8ft	170fc	21ft
12ft	73fc	32ft
16ft	39fc	43ft
20ft	26fc	53ft

■ Vert, Spread; 120°
■ Horiz, Spread; 120°

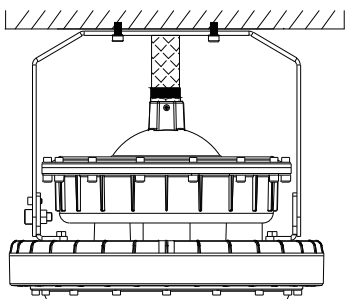
120°

Packing Information:

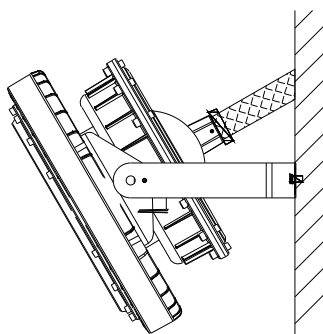
Model	Quantity/Carton	Packing Size	Net Weight	Gross Weight
C2	1 PCS	18.50x18.50x13.58inch	14 kg/ 30.86 lbs	16 kg/ 35.27 lbs
C	1 PCS	21.65x20.47x14.17inch	17.4 kg/ 38.36 lbs	19 kg/ 41.89 lbs
C3	1 PCS	21.85x21.85x13.58inch	21 kg/ 46.30 lbs	25 kg/ 55.12 lbs

Mounting Methods:

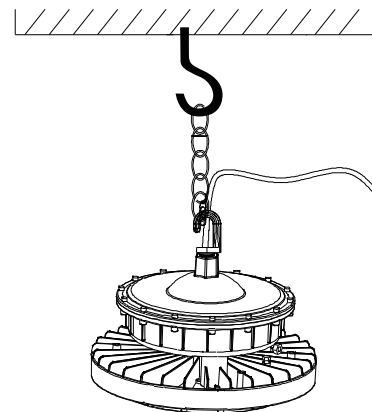
◆ Ceiling Mounting:



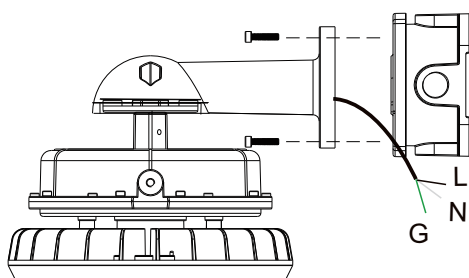
◆ Wall Mounting:



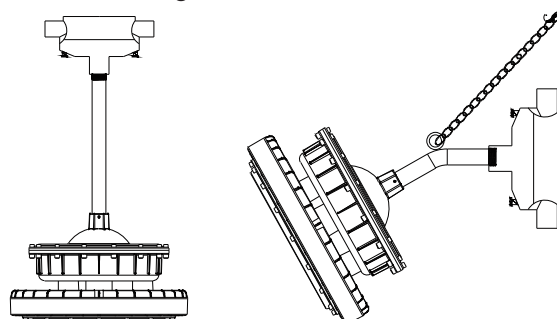
◆ Hook Pendant Mounting:



◆ Wall Mounting to Junction Box:



◆ Pole Mounting:



LED Explosion Proof Light - C Series

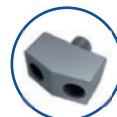
Accessories:



- Model: Ex-Junction Box
Name: Junction Box
Material: Aircraft Aluminum A383



- Model: Ex-25° Arm Support
Name: 25° Arm Support
Material: Aircraft Aluminum A356



- Model: Ex-D01
Name: Pendant Direction Adapter
Material: Aircraft Aluminum A383



- Model: EX-Bended Pipe
Name: Bended Pipe
Material: Iron



- Model: Ex-Lamp Shade
Name: Lamp Shade
Material: Aluminum A1070



- Model: Ex-Conduit 01
Name: Metal Conduit
Material: Stainless Steel and Aluminum



- Model: Ex-90° Arm Support
Name: 90° Arm Support
Material: Aircraft Aluminum A356



- Model: Ex-Lamp Shade
Name: Cut off lamp shade
Material: Aluminum A1070



- Model: EX-Straight Pipe
Name: Straight Pipe
Material: Iron



- Model: EX-Hook
Name: Installation Hook
Material: Aircraft Aluminum A383



- Model: Ex-Chain
Name: Pendant Chain
Material: Stainless Steel S30400

Application :

- ◆ Oil and gas industry
 - All petroleum production and refining
 - Petroleum loading and transportation
 - Petroleum storage and retail
 - LNG industry
 - All mining operations and service
- ◆ Ocean, marine and aerospace field
 - Ocean platform operation facilities
 - Aerospace clean room and production
 - Ocean vessel operations
- ◆ Food and alcohol industry
 - Flour and fine particle production and storage
 - Food and distilling production
 - Alcohol industry
- ◆ Chemical industry
 - All types of paint facilities
 - Chemical production and storage
- ◆ Metal treatment
 - Steel and aluminum factories
 - Pumping stations in any environment
 - Metal smelting, foundry and fabrication
- ◆ Other high humidity, high dust, high temperature, vapor locations.