

# EXPLOSION PROOF LIGHT



20W/40W/60W/80W/100W  
150W/180W/200W/250W/300W/400W

## A Series

**Venas Co.,Ltd**

Flat/Rm 1101D,11/F Lippo Sun Plaza 28, Canton Road, Tsim Sha Tsui, HongKong  
[www.venas.com](http://www.venas.com)

**VENAS**

# ■ APPLICATIONS

## Oil and Gas industry

- All petroleum production and refining
- Petroleum loading and transportation
- Petroleum storage and retail
- LNG industry
- All mining operations and service

## Chemical industry

- All types of paint facilities
- Chemical production and storage

## Ocean, marine and aerospace field

- Ocean platform operation facilities and structure
- Aerospace clean room and production
- Ocean vessel operations

## Metal treatment

- Steel and aluminum factories
- Pumping stations in any environment
- Metal smelting, foundry and fabrication

## Food and alcohol industry

- Flour and fine particle production and storage
- Food and distilling production
- Alcohol industry

## Other high humidity, high dust, high temperature, vapor locations







A2

A

A3

A4



## ■ EXPLOSION PROTECTION

### Marking ATEX

II 3 G Ex ec IIC T3 Gc  
 II 2 D Ex tb IIIC T103°C Db  
 Ex IIC Ex mb eb IIC T3 Gb  
 II2 Ex tb IIC T125°C Db

### Marking IECEx

Ex ec IIC T3C Gc  
 Ex tb IIIC T103°C Db  
 Ex mb eb IIC T3 Gb  
 Ex tb IIC T125°C Db

### Marking UL844 (North American)

Class I, Division 2, Groups A, B, C, D  
 Class II, Division 1, Groups E, F, G  
 Class II, Division 2, Groups F, G  
 Class III

### Marine Marking

UL 1598, UL1598A  
 ABS  
 Other Rating  
 IP 66

## ■ MATERIALS

- Housing: Copper-free aluminum
- Lens: Tempered glass
- Hardware: Stainless steel
- Mounting Bracket: Stainless steel

## LIGHT DISTRIBUTION

Center Beam fc	Beam Width	
4ft	2008fc	4ft
8ft	480fc	7ft
12ft	203fc	11ft
16ft	116fc	15ft
20ft	88fc	19ft

■ Vert, Spread: 40°  
 ■ Horiz, Spread: 40°

40D

Center Beam fc	Beam Width	
4ft	1434fc	6ft
8ft	343fc	11ft
12ft	145fc	17ft
16ft	81fc	22ft
20ft	69fc	27ft

■ Vert, Spread: 60°  
 ■ Horiz, Spread: 60°

60D

Center Beam fc	Beam Width	
4ft	1024fc	8ft
8ft	255fc	15ft
12ft	105fc	24ft
16ft	58fc	32ft
20ft	39fc	39ft

■ Vert, Spread: 90°  
 ■ Horiz, Spread: 90°

90D

Center Beam fc	Beam Width	
4ft	683fc	11ft
8ft	170fc	21ft
12ft	73fc	32ft
16ft	39fc	43ft
20ft	26fc	53ft

■ Vert, Spread: 120°  
 ■ Horiz, Spread: 120°

120D

## ■ FEATURES

- Working Temperature: -40°C ~ +55°C.
- High quality SMT LED and Meanwell Driver.
- Heavy-duty and high impact resistance.
- Replaceable LED board and drivers.
- Integrated junction box for driver .
- Dimmable and battery back up function available.
- Marine rating powder coated finish treatment.
- Up to 5 years warranty .
- Various installation ways for different applications.
- Glass lens or polycarbonate lens to make different beam angles.



## ■ SPECIFICATION

Product Number	Wattage	ColorTemperature	Voltage	Lumens	Warranty	CRI	Emergency Time
EX-20W A2YZDA	20W	2200K-7000K	AC100-277V/DC12-48V	2800	5 Years	80	3 Hours
EX-40W A2YZDA	40W			5600			
EX-60W A2YZDA	60W			8400			
EX-80W AYZDA	80W	2200K-7000K	AC100-277V/DC12-48V	11200	5 Years	80	3 Hours
EX-100W AYZDA	100W		AC200-480V	14000			
EX-150W A3YZDA	150W	2200K-7000K	AC100-277V/DC12-48V	21000	5 Years	80	3 Hours
EX-180W A3YZDA	180W		AC200-480V	25200			
EX-200W A3YZDA	200W		28000				
EX-150W A4YZDA	150W	2200K-7000K	AC100-277V/DC12-48V	21000	5 Years	80	3 Hours
EX-180W A4YZDA	180W		AC200-480V	25200			
EX-200W A4YZDA	200W		28000				
EX-250W A4YZDA	250W		35000				
EX-300W A4YZDA	300W		42000				
EX-400W A4YZDA	400W		56000				

“A,A2,A3,A4”=Product code.“Y”=D or N D:Dimmable or N: non-dimmable “Z”=CCT, from 2200-7000k, 22 for 2200k...70 for 7000K.

“D”=Beam angle, D40 for 40°, D60 for 60°, D90 for 90°, D120 for 120°.

“A”=glass type. blank for flat glass, C for spherical glass.

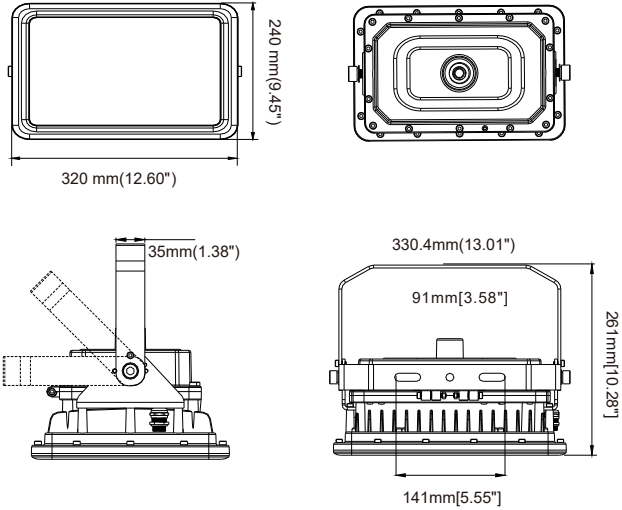
## ■ PACKING INFORMATION

Model	Quantity/Carton	Length(mm)	Width(mm)	Height(mm)	Net weight(kg)	Gross weight(kg)
A2	1	365mm	270mm	305mm	4.15kg	5.3kg
A	1	375mm	340mm	215mm	6.95kg	7.9kg
A3	1	485mm	340mm	365mm	8.3kg	10.3kg
A4	1	350mm	470mm	400mm	15.1kg	17kg

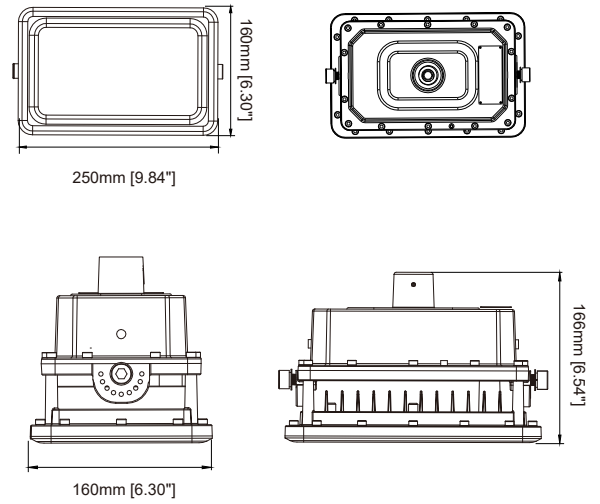
# DIMENSION

Unit: mm or inch

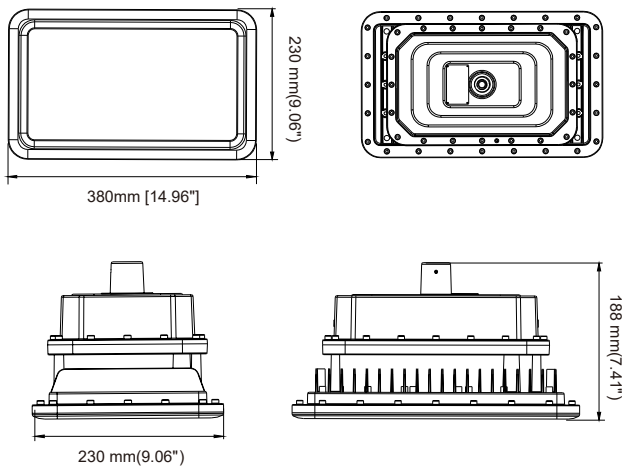
## A Series



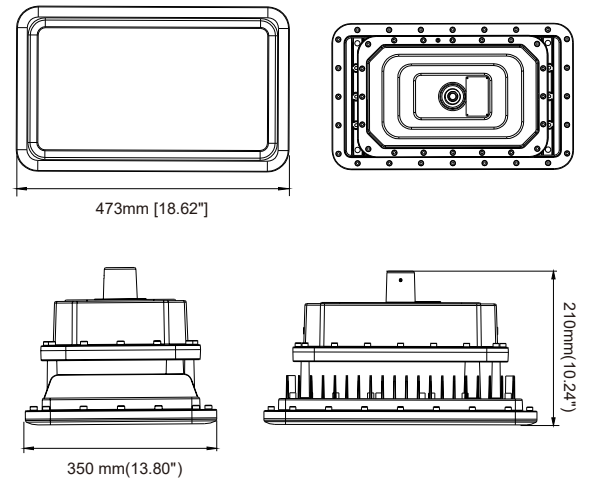
## A2 Series



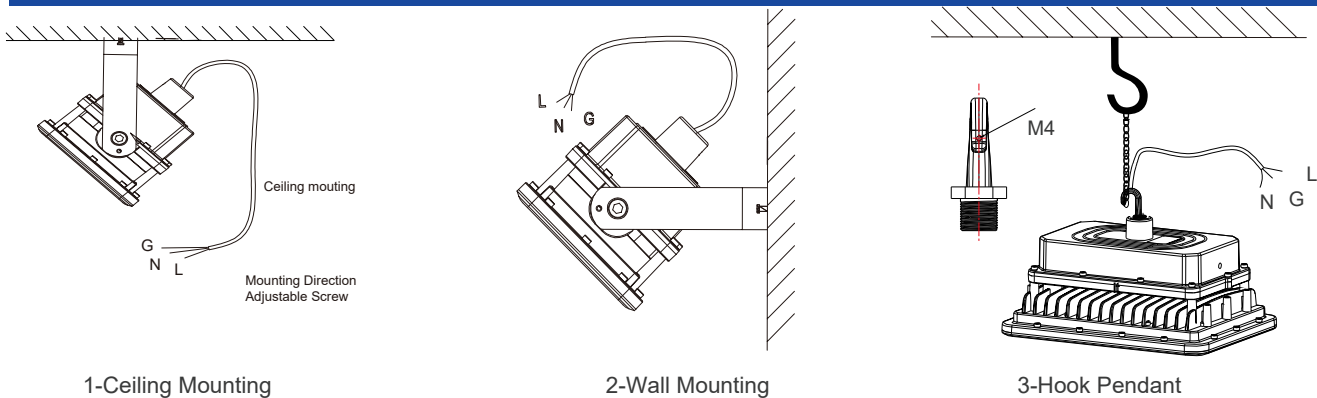
## A3 Series



## A4 Series



# MOUNTING METHODS

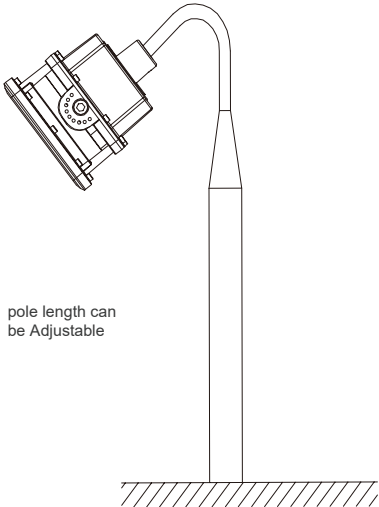
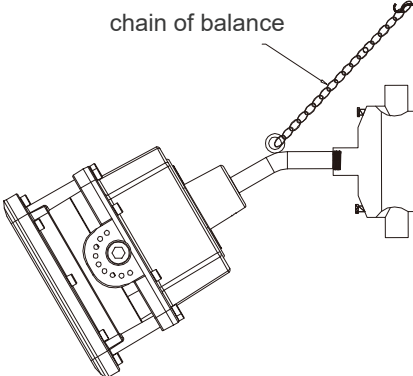
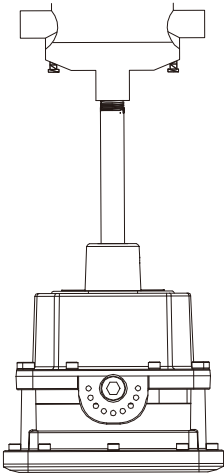


1-Ceiling Mounting

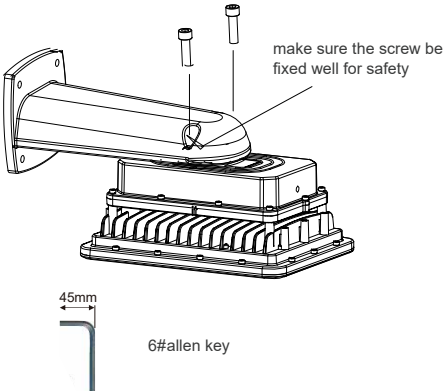
2-Wall Mounting

3-Hook Pendant

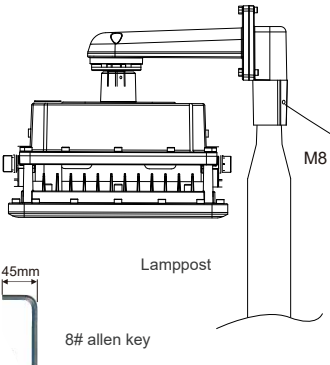
# MOUNTING METHODS



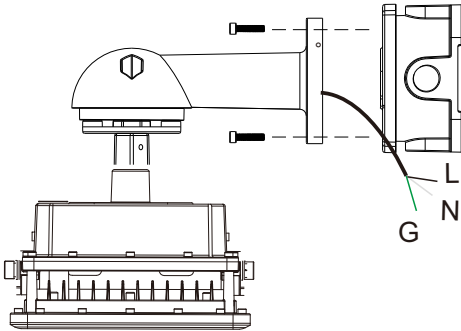
4-Pole Mounting



5-Arm Mounting



6-Stanchion Mounting



7-Wall Mounting with junction box

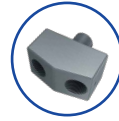
# ■ ACCESSORIES



- **Model: Ex-Junction01**  
Name: Junction Box  
Material: Aircraft Aluminum A383



- **Model: Ex-25PSupport**  
Name: 25 Degree Pole Support  
Material: Aircraft Aluminum A383



- **Model: Ex-D01**  
Name: Pendant Direction Adapter  
Material: Aircraft Aluminum A383



- **Model: Ex-WPipe**  
Name: Winding Swing Pipe  
Material: Iron with Power Coating



- **Model: Ex-25JSupport**  
Name: 25° Arm with Junction Box  
Material: Aircraft Aluminum A383



- **Model: Ex-90PSupport**  
Name: 90 Degree Pole Support  
Material: Aircraft Aluminum A383



- **Model: Ex-MArm**  
Name: Surface Mounting Arm  
Material: Aircraft Aluminum A383



- **Model: Ex-25ASupport**  
Name: 25° Arm Support  
Material: Aircraft Aluminum A356



- **Model: Ex-DArm**  
Name: Direct Mounting Arm  
Material: Aircraft Aluminum A383



- **Model: Ex-90JSupport**  
Name: 90° Arm with Junction Box  
Material: Aircraft Aluminum A383



- **Model: Ex-Conduit01**  
Name: Metal Conduit  
Material: Stainless Steel and Aluminum



- **Model: Ex-90ASupport**  
Name: 90° Arm Support  
Material: Aircraft Aluminum A356



- **Model: Ex-Hook**  
Name: Installation Hook  
Material: Aircraft Aluminum A383



- **Model: Ex-SPipe**  
Name: Winding Swing Pipe  
Material: Iron with Power Coating

# A Series

## LED Explosion Proof Light



### Certifications:

- ◆ Marking ATEX
  - ◆ II 3 G Ex ec IIC T6...T3 Gc
  - ◆ II 2 D Ex tb IIIC T85°C...T100°C Db
  - ◆ II 2 G Ex eb mb IIC T5...T6 Gb
  - ◆ II 2 D Ex tb IIIC T80°C...T100°C Db
- ◆ Marking IECEx
  - ◆ Ex ec IIC T6...T3 Gc
  - ◆ Ex tb IIIC T85°C...T100°C Db
  - ◆ Ex eb mb IIC T5...T6 Gb
  - ◆ Ex tb IIIC T80°C...T100°C Db
- ◆ Marking UL844 (North American)
  - ◆ Class I, Division 2, Groups A, B, C, D
  - ◆ Class II, Division 1, Groups E, F, G
  - ◆ Class II, Division 2, Groups F, G
  - ◆ Class III
- ◆ Marine Marking
  - ◆ UL 1598
  - ◆ UL1598A
  - ◆ ABS
- ◆ IP66

### Standard Materials:

- ◆ Housing: Copper-free aluminum
- ◆ Lens: Tempered glass
- ◆ Hardware: Stainless steel
- ◆ Mounting Bracket: Stainless steel

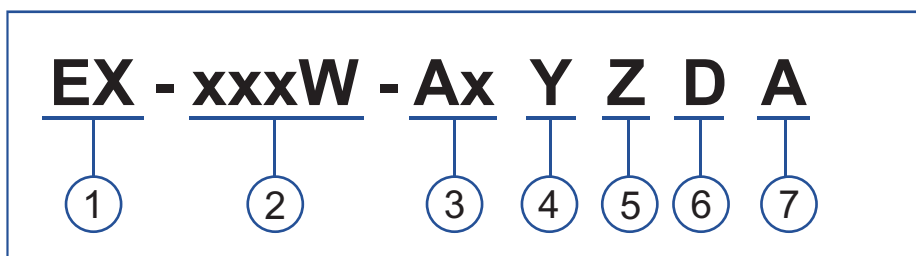


## LED Explosion Proof Light - A Series

### Key Features:

- ① Dimmable and battery backup function is available.
- ② High-quality SMT LED and Meanwell driver.
- ③ Heavy-duty and high impact resistance.
- ④ Replaceable LED board and drivers.
- ⑤ Integrated junction box for driver.
- ⑥ Marine rating powder coated finish treatment.
- ⑦ Various installation ways for different applications.
- ⑧ Glass lens or polycarbonate lens for making different beam angles.
- ⑨ 5-year warranty.
- ⑩ Low temperature applications to  $-40^{\circ}\text{C}$  ( $-40^{\circ}\text{F}$ ) and high temperature up to  $50^{\circ}\text{C}$  ( $122^{\circ}\text{F}$ ).

### Catalog Number Logic:



① **PRODUCT CATEGORY**

- ◆ Explosion proof light

② **WATTAGE**

- ◆ 20W-400W

③ **PRODUCT SERIES**

- ◆ A    ◆ A2    ◆ A3    ◆ A4

④ **DIMMING OPTION**

- ◆ D= dimmable
- ◆ N= Non-dimmable

⑤ **CCT**

- ◆ From 2200K to 7000K
- ◆ 22=2200K, 30=3000K, ..., 70=7000K

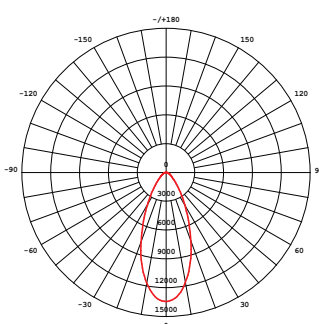
⑥ **BEAM ANGLE**

- ◆ D40=  $40^{\circ}$     ◆ D90=  $90^{\circ}$
- ◆ D60=  $60^{\circ}$     ◆ D120=  $120^{\circ}$

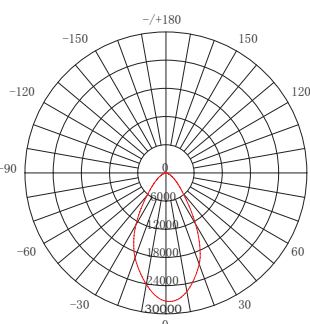
⑦ **GLASS TYPE**

- ◆ A=blank: Flat glass
- ◆ A=C: Spherical glass

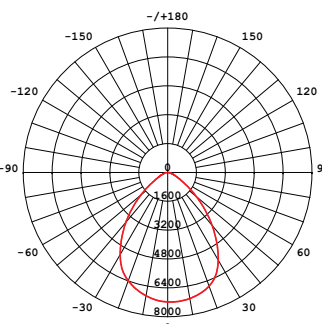
### Photometry:



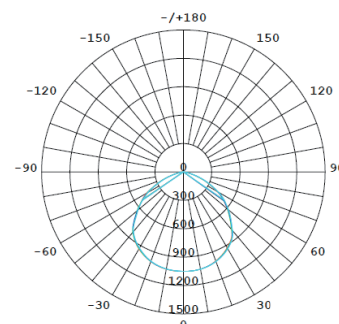
Beam angle:  $40^{\circ}$



Beam angle:  $60^{\circ}$



Beam angle:  $90^{\circ}$



Beam angle:  $120^{\circ}$

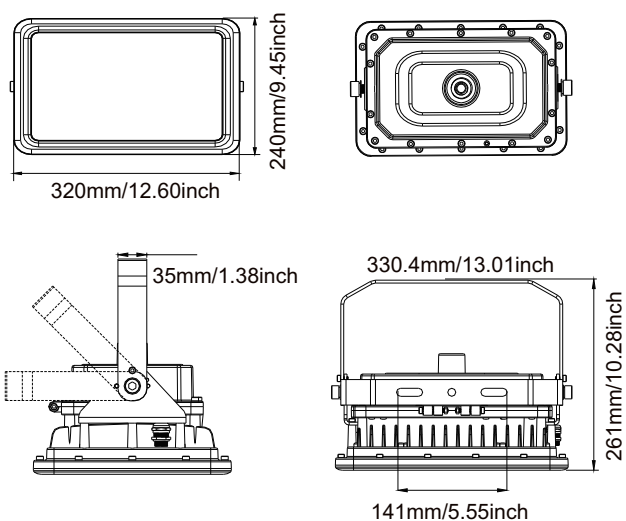
# LED Explosion Proof Light - A Series

## Technical Data:

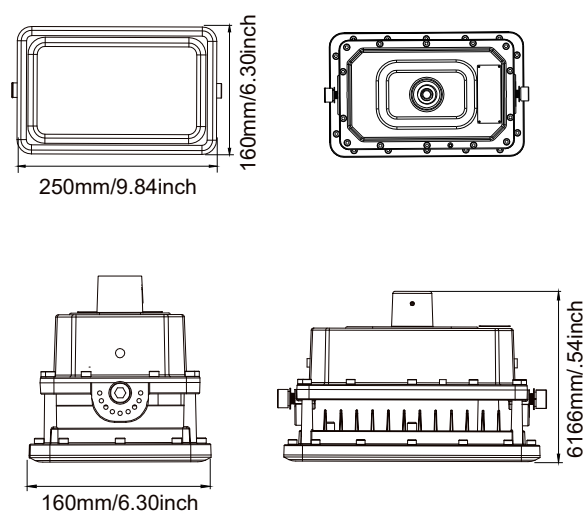
Model	Wattage	Operating Voltage	Lumens (lm)	Efficacy (lm/W)	CRI	CCT	Emergency Time
EX-20W A2YZDA	20W	AC100-277V/DC12-48V	2,800	140	>70	2200K-7000K	3 hours
EX-40W A2YZDA	40W		5,600				
EX-60W A2YZDA	60W		8,400				
EX-80W AYZDA	80W	AC100-277V/DC12-48V, AC200-480V	11,200				
EX-100W AYZDA	100W		14,000				
EX-150W A3YZDA	150W		21,000				
EX-180W A3YZDA	180W		25,200				
EX-200W A3YZDA	200W		28,000				
EX-150W A4YZDA	150W		21,000				
EX-180W A4YZDA	180W		25,200				
EX-200W A4YZDA	200W		28,000				
EX-250W A4YZDA	250W		35,000				
EX-300W A4YZDA	300W	42,000					
EX-400W A4YZDA	400W	56,000					

## Dimensions:

### A Series



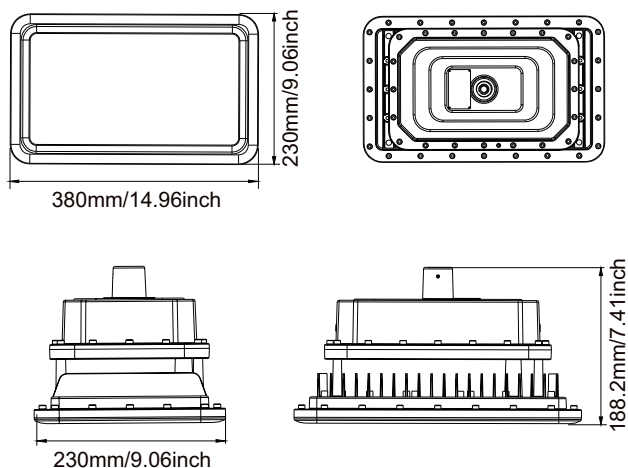
### A2 Series



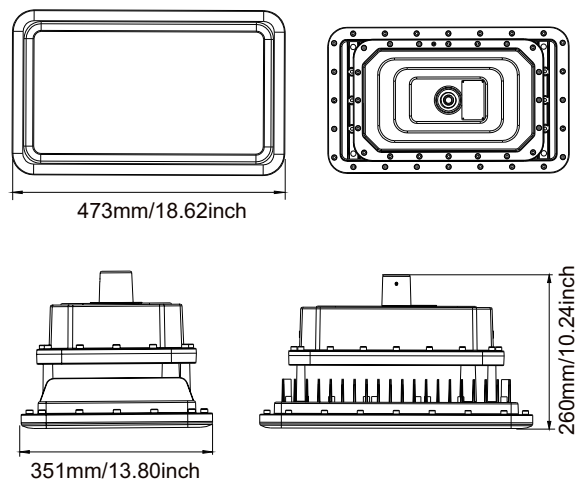
# LED Explosion Proof Light - A Series

## Dimensions:

### A3 Series



### A4 Series

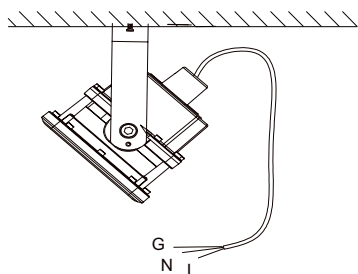


## Packing Information:

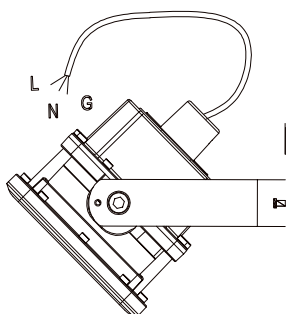
Model	Quantity/Carton	Packing Size	Net Weight	Gross Weight
A2	1 PCS	365x270x305mm/14.37x10.63x12.01inch	4.15 kg/ 9.15 lbs	5.3 kg/ 11.68 lbs
A	1 PCS	375x340x215mm/14.76x13.39x8.46inch	6.95 kg/ 15.32 lbs	7.9 kg/ 17.42 lbs
A3	1 PCS	485x340x365mm/19.09x13.39x14.37inch	8.3 kg/ 18.30 lbs	10.3 kg/ 22.71 lbs
A4	1 PCS	350x470x400mm/13.78x18.50x15.75inch	15.1 kg/ 33.29 lbs	17 kg/ 37.48 lbs

## Mounting Methods:

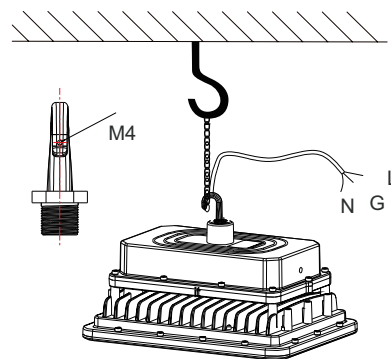
### ◆ Ceiling Mounting:



### ◆ Wall Mounting:

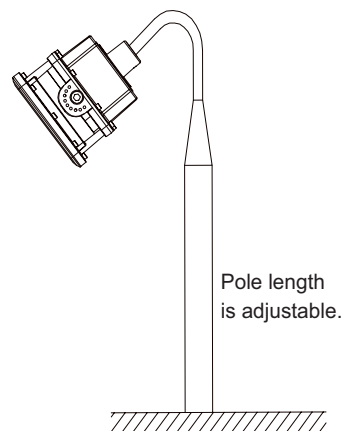
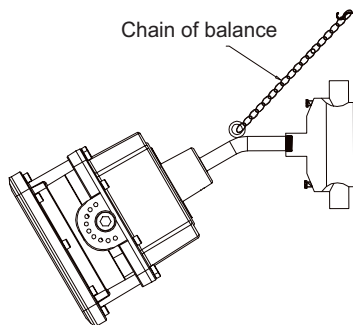
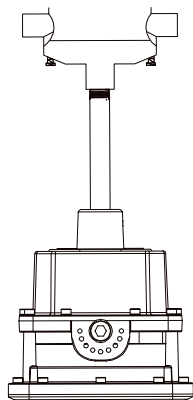


### ◆ Hook Mounting:

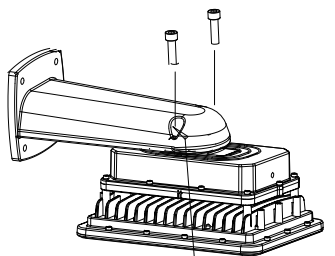


# LED Explosion Proof Light - A Series

## ◆ Pole Mounting:



## ◆ Arm Mounting:

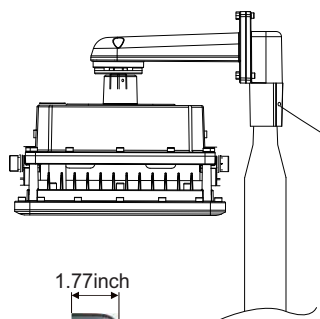


1.77inch

Make sure the screw is fixed well for safety.

6# Allen key

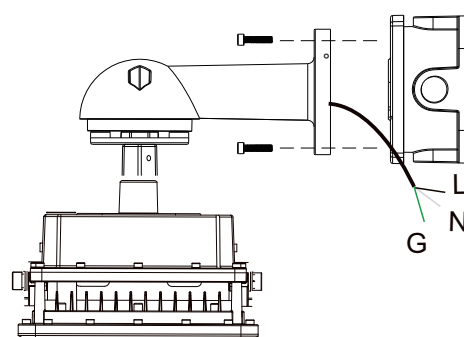
## ◆ Stanchion Mounting:



1.77inch

8# Allen key

## ◆ Wall Mounting with Junction Box:



## Accessories:



- **Model: Ex-Junction Box**  
Name: Junction Box  
Material: Aircraft Aluminum A383



- **Model: Ex-25P Support**  
Name: 25° Pole Support  
Material: Aircraft Aluminum A383



- **Model: Ex-D01**  
Name: Pendant Direction Adapter  
Material: Aircraft Aluminum A383



- **Model: Ex-Bended Pipe**  
Name: Bended Pipe  
Material: Iron



- **Model: Ex-25J Support**  
Name: 25° Arm with Junction Box  
Material: Aircraft Aluminum A383



- **Model: Ex-90P Support**  
Name: 90° Pole Support  
Material: Aircraft Aluminum A383



- **Model: Ex-MArm**  
Name: Surface Mounting Arm  
Material: Aircraft Aluminum A383



- **Model: Ex-25A Support**  
Name: 25° Arm Support  
Material: Aircraft Aluminum A356



- **Model: Ex-DArm**  
Name: Direct Mounting Arm  
Material: Aircraft Aluminum A383



- **Model: Ex-90J Support**  
Name: 90° Arm with Junction Box  
Material: Aircraft Aluminum A383



- **Model: Ex-Conduit 01**  
Name: Metal Conduit  
Material: Stainless Steel and Aluminum



- **Model: Ex-Hook**  
Name: Installation Hook  
Material: Aircraft Aluminum A383



- **Model: Ex-90A Support**  
Name: 90° Arm Support  
Material: Aircraft Aluminum A356



- **Model: Ex-Straight Pipe**  
Name: Straight Pipe  
Material: Iron



## LED Explosion Proof Light - A Series

### Application :

- ◆ Oil and gas industry
  - All petroleum production and refining
  - Petroleum loading and transportation
  - Petroleum storage and retail
  - LNG industry
  - All mining operations and service
- ◆ Ocean, marine and aerospace field
  - Ocean platform operation facilities
  - Aerospace clean room and production
  - Ocean vessel operations
- ◆ Food and alcohol industry
  - Flour and fine particle production and storage
  - Food and distilling production
  - Alcohol industry
- ◆ Chemical industry
  - All types of paint facilities
  - Chemical production and storage
- ◆ Metal treatment
  - Steel and aluminum factories
  - Pumping stations in any environment
  - Metal smelting, foundry and fabrication
- ◆ Other high humidity, high dust, high temperature, vapor locations.