



Conduit Bodies and Covers for General Service Locations

Description:

Procoat conduit bodies with covers are offered in Form 8 and Form 7 styles, each with numerous configurations to provide a complete coated conduit system. May be used to make 90° bends, for pull outlets, to provide for taps or splices, to act as a mounting outlet for wiring devices or lighting fixtures, etc. Form 8 style fittings 1/2" – 2" have an integral V-Seal gasket for superior corrosion protection. Electrical continuity of the conduit system is maintained across assembled joints.

Features:

- 40 mil gray PVC exterior coating.
- 2 mil gray urethane interior coating.
- 10 trade sizes from 1/2" through 4".
- Sealing sleeves on all conduit openings.
- Form 7 and Form 8 style covers uses retained stainless screw and wedge clip design.

Standards:

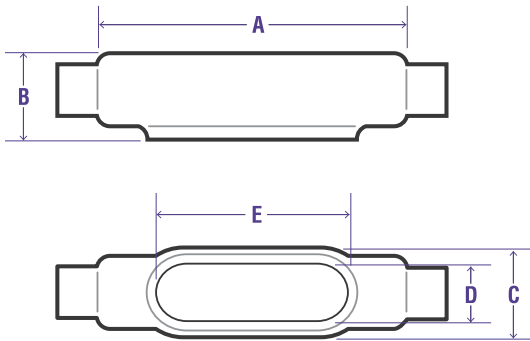
Steel and Aluminum

- UL 514A, 514D (E231035).
- CSA C22.2 No. 18, CSA C22.2 No. 42.

Note:

All cover screws are stainless steel.

Conduit Bodies Technical Data

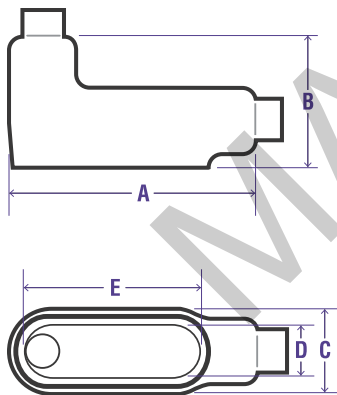


C FORM 8

PIPE SIZE	FERROUS CATALOG #	NOMINAL WEIGHT	A	B	C	D	E
1/2"	C18P	2.0	5.69	1.48	1.46	1.00	3.31
3/4"	C28P	2.3	6.28	1.73	1.27	1.19	3.94
1"	C38P	2.8	7.31	1.98	1.83	1.38	4.56
1-1/4"	C48P	4.5	8.50	2.42	2.27	1.75	5.31
1-1/2"	C58P	6.5	10.38	2.82	2.83	2.13	6.50
2"	C68P	10.3	12.25	3.60	3.83	3.00	8.56
2-1/2"	C78P	18.0	15.63	4.48	5.08	4.25	10.88
3"	C88P	20.5	15.63	4.85	5.08	4.25	10.88

C FORM 7

PIPE SIZE	FERROUS CATALOG #	NOMINAL WEIGHT	A	B	C	D	E
1/2"	C17P	1.0	5.38	1.42	1.46	0.94	3.19
3/4"	C27P	1.4	6.00	1.67	1.64	1.13	3.81
1"	C37P	2.2	7.00	1.92	1.83	1.38	4.50
1-1/4"	C47P	2.7	7.44	2.35	2.27	1.75	5.00
1-1/2"	C57P	4.0	8.19	2.60	2.52	1.94	5.44
2"	C67P	5.5	9.19	3.17	3.08	2.44	6.38
2-1/2"	C77P	10.0	12.00	3.67	4.33	3.56	8.38
3"	C87P	11.8	11.75	4.42	4.33	3.56	8.38



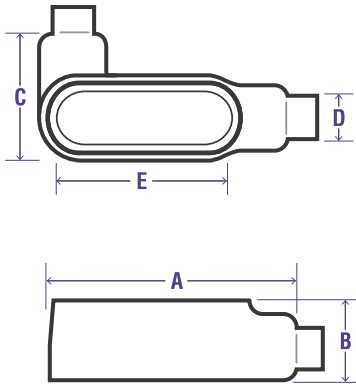
LB FORM 8

PIPE SIZE	FERROUS CATALOG #	NOMINAL WEIGHT	A	B	C	D	E
1/2"	LB18P	1.5	4.98	2.22	1.46	1.00	3.31
3/4"	LB28P	2.0	5.60	2.44	1.64	1.19	3.94
1"	LB38P	2.9	6.51	2.81	1.83	1.38	4.56
1-1/4"	LB48P	4.1	7.57	3.34	2.27	1.75	5.31
1-1/2"	LB58P	6.5	9.17	4.03	2.83	2.13	6.50
2"	LB68P	8.2	11.04	4.81	3.83	3.00	8.56
2-1/2"	LB78P	18.2	13.98	6.13	5.08	4.25	10.88
3"	LB88P	21.2	13.98	6.50	5.08	4.25	10.88
3-1/2"	LB98P	31.2	16.92	7.56	6.33	5.44	13.44
4"	LB108P	32.0	16.92	7.81	6.33	5.44	13.44

LB FORM 7

PIPE SIZE	FERROUS CATALOG #	NOMINAL WEIGHT	A	B	C	D	E
1/2"	LB17P	1.1	4.6	2.25	1.46	0.94	3.19
3/4"	LB27P	1.7	5.24	2.50	1.64	1.13	3.81
1"	LB37P	2.2	6.04	2.88	1.83	1.38	4.50
1-1/4"	LB47P	3.1	6.54	3.31	2.27	1.75	5.00
1-1/2"	LB57P	3.8	7.17	3.69	2.52	1.94	5.44
2"	LB67P	5.2	8.17	4.25	3.08	2.44	6.38
2-1/2"	LB77P	10.0	10.54	5.13	4.33	3.56	8.38
3"	LB87P	13.0	10.54	5.88	4.33	3.56	8.38
3-1/2"	LB97P	19.0	12.73	6.56	5.33	4.50	10.25
4"	LB107P	18.5	12.73	7.06	5.33	4.50	10.25

Conduit Bodies Technical Data

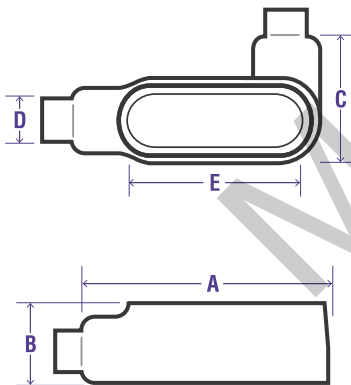


LL FORM 8

PIPE SIZE	FERROUS CATALOG #	NOMINAL WEIGHT	A	B	C	D	E
1/2"	LL18P	1.4	4.98	1.48	2.20	1.00	3.31
3/4"	LL28P	2.1	5.60	1.73	2.35	1.19	3.94
1"	LL38P	2.6	6.51	1.98	2.67	1.38	4.56
1-1/4"	LL48P	4.2	7.61	2.42	3.2	1.75	5.31
1-1/2"	LL58P	6.2	9.17	2.82	4.04	2.13	6.50
2"	LL68P	10.5	11.04	3.60	5.04	3.00	8.56
2-1/2"	LL78P	19.0	13.98	4.48	6.73	4.25	10.88
3"	LL88P	21.5	13.98	4.85	6.73	4.25	10.88

LL FORM 7

PIPE SIZE	FERROUS CATALOG #	NOMINAL WEIGHT	A	B	C	D	E
1/2"	LL17P	1.2	4.6	1.42	2.29	0.94	3.19
3/4"	LL27P	1.6	5.23	1.67	2.48	1.13	3.81
1"	LL37P	2.1	6.04	1.92	2.79	1.38	4.50
1-1/4"	LL47P	3.0	6.54	2.35	3.23	1.75	5.00
1-1/2"	LL57P	4.1	7.17	2.60	3.60	1.94	5.44
2"	LL67P	5.7	8.17	3.17	4.17	2.44	6.38
2-1/2"	LL77P	10.0	10.54	3.67	5.79	3.56	8.38
3"	LL87P	12.7	10.54	4.42	5.79	3.56	8.38
3-1/2"	LL97P	19.0	12.73	4.92	6.98	4.50	10.25
4"	LL107P	19.0	12.73	5.42	6.98	4.50	10.25

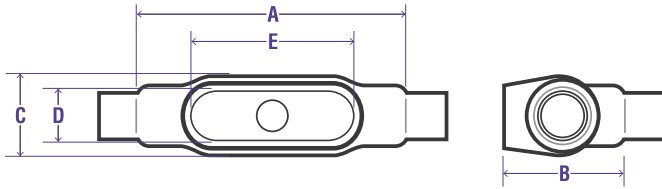


LR FORM 8

PIPE SIZE	FERROUS CATALOG #	NOMINAL WEIGHT	A	B	C	D	E
1/2"	LR18P	1.4	4.98	1.48	2.20	1.00	3.31
3/4"	LR28P	2.1	5.60	1.73	2.35	1.19	3.94
1"	LR38P	2.6	6.51	1.98	2.67	1.38	4.56
1-1/4"	LR48P	4.5	7.61	2.42	3.20	1.75	5.31
1-1/2"	LR58P	6.2	9.17	2.82	4.04	2.13	6.50
2"	LR68P	10.7	11.04	3.60	5.04	3.00	8.56
2-1/2"	LR78P	17.7	13.98	4.48	6.73	4.25	10.88
3"	LR88P	18.0	13.98	4.85	6.73	4.25	10.88

LR FORM 7

PIPE SIZE	FERROUS CATALOG #	NOMINAL WEIGHT	A	B	C	D	E
1/2"	LR17P	1.2	4.60	1.42	2.29	0.94	3.19
3/4"	LR27P	1.6	5.23	1.67	2.48	1.13	3.81
1"	LR37P	2.1	6.04	1.92	2.79	1.38	4.50
1-1/4"	LR47P	3.0	6.54	2.35	3.23	1.75	5.00
1-1/2"	LR57P	4.1	7.17	2.60	3.60	1.94	5.44
2"	LR67P	5.7	8.17	3.17	4.17	2.44	6.38
2-1/2"	LR77P	10.0	10.54	3.67	5.79	3.56	8.38
3"	LR87P	12.7	10.54	4.42	5.79	3.56	8.38
3-1/2"	LR97P	19.0	12.73	4.92	6.98	4.50	10.25
4"	LR107P	19.0	12.73	5.42	6.98	4.50	10.25

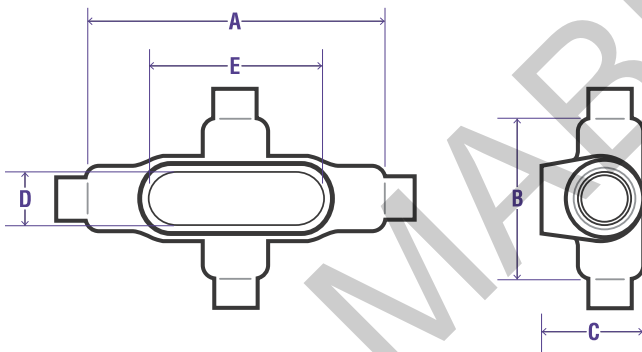


TB FORM 8

PIPE SIZE	FERROUS CATALOG #	NOMINAL WEIGHT	A	B	C	D	E
1/2"	TB18P	2.0	5.69	2.53	1.46	1.00	3.31
3/4"	TB28P	2.3	6.28	2.75	1.64	1.19	3.94
1"	TB38P	3.1	7.31	3.13	1.83	1.38	4.56
1-1/4"	TB48P	5.2	8.50	3.34	2.27	1.75	5.31
1-1/2"	TB58P	7.0	10.38	4.03	2.83	2.13	6.50
2"	TB68P	11.0	12.25	4.81	3.83	3.00	8.56

TB FORM 7

PIPE SIZE	FERROUS CATALOG #	NOMINAL WEIGHT	A	B	C	D	E
1/2"	TB17P	1.6	5.63	2.63	1.64	0.94	3.19
3/4"	TB27P	2.1	6.25	2.88	1.83	1.13	3.81
1"	TB37P	2.7	7.25	3.25	2.08	1.38	4.50
1-1/4"	TB47P	3.7	7.44	3.31	2.27	1.75	5.00
1-1/2"	TB57P	4.7	8.19	5.00	2.52	1.94	5.44
2"	TB67P	7.0	9.19	6.13	3.08	2.44	6.38



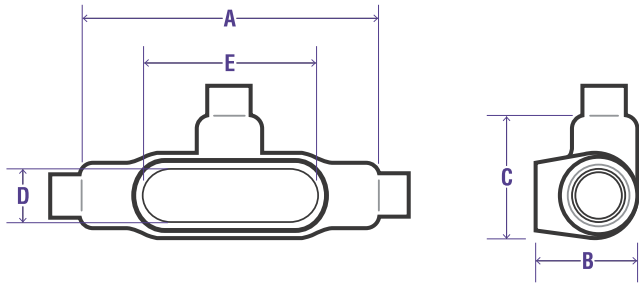
X FORM 8

PIPE SIZE	FERROUS CATALOG #	NOMINAL WEIGHT	A	B	C	D	E
1/2"	X18P	2.0	5.69	2.91	1.79	1.00	3.31
3/4"	X28P	2.6	6.28	3.06	2.04	1.19	3.94
1"	X38P	3.1	7.31	3.50	2.29	1.38	4.56
1-1/4"	X48P	5.2	8.50	4.13	2.67	1.75	5.31
1-1/2"	X58P	7.5	10.38	5.25	2.51	2.13	6.50
2"	X68P	11.7	12.25	6.25	3.60	3.00	8.56

X FORM 7

PIPE SIZE	FERROUS CATALOG #	NOMINAL WEIGHT	A	B	C	D	E
1/2"	X17P	1.7	5.63	3.31	1.79	0.94	3.19
3/4"	X27P	2.4	6.25	3.50	2.04	1.13	3.81
1"	X37P	2.7	7.25	4.00	2.29	1.38	4.50
1-1/4"	X47P	3.6	7.44	4.13	2.35	1.75	5.00
1-1/2"	X57P	5.0	8.19	4.63	2.60	1.94	5.44
2"	X67P	7.5	9.19	5.19	3.17	2.44	6.38

Conduit Bodies Technical Data



T FORM 8

PIPE SIZE	FERROUS CATALOG #	NOMINAL WEIGHT	A	B	C	D	E
1/2"	T18P	1.8	5.69	1.79	2.20	1.00	3.31
3/4"	T28P	2.5	6.28	2.04	2.35	1.19	3.94
1"	T38P	3.3	7.31	2.29	2.67	1.38	4.56
1-1/4"	T48P	4.9	8.50	2.67	3.20	1.75	5.31
1-1/2"	T58P	7.5	10.38	2.82	4.04	2.13	6.50
2"	T68P	11.7	12.25	3.60	5.04	3.00	8.56
2-1/2"	T68P	19.8	15.63	4.48	6.73	4.25	10.88
3"	T88P	23.5	15.63	4.85	6.73	4.25	10.88

T FORM 7

PIPE SIZE	FERROUS CATALOG #	NOMINAL WEIGHT	A	B	C	D
1/2"	T17P	1.5	5.63	1.79	2.48	0.94
3/4"	T27P	2.1	6.25	2.04	2.67	1.13
1"	T37P	2.9	7.25	2.29	3.04	1.38
1-1/4"	T47P	3.6	7.44	2.35	3.23	1.75
1-1/2"	T57P	4.5	8.19	2.60	3.60	1.94
2"	T67P	6.5	9.19	3.17	4.17	2.44
2-1/2"	T77P	10.7	12.00	3.67	5.79	3.56
3"	T87P	15.4	12.06	4.42	5.79	3.56
3-1/2"	T97P	19.0	14.31	4.92	6.98	4.50
4"	T107P	21.0	14.31	5.42	6.98	4.50

MABELEEC