

N2S and N2SC Series Control Stations

Factory Sealed, Corrosion-Resistant
600VAC Heavy Duty

Cl. I, Div. 2, Groups B, C, D
NEMA 3, 4X, 7BCD (Div. 2), 12
Watertight
Weatherproof
Dust-tight

Applications:

N2S and N2SC pushbutton stations, selector switches and pilot lights are suitable for use:

- In Class I, Groups B, C, D; Division 2 hazardous areas where flammable vapors or gases may be present due to accidental or abnormal operation
- In damp, wet, or corrosive locations
- Indoors or outdoors in Division 2 areas of petroleum refineries, chemical plants and other process industry facilities where similar hazards exist

N2S and N2SC pushbutton stations and selector switches are used:

- In conjunction with magnetic starters or contactors for remote control of motors

N2S and N2SC pilot lights are used:

- To visually indicate at a remote location that the desired function is being performed

Optional maintained stop pushbutton(s) are used: As emergency or normal stop button(s) in motor control circuits for positive shutdown.

Features:

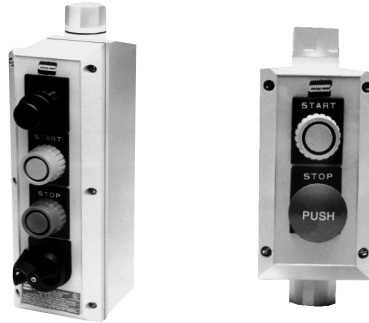
- Pushbutton stations, pilot lights, and selector switch devices are factory sealed. External seals are not required.
- Enclosures are made of *Krydon*[®] fiberglass-reinforced polyester material having excellent corrosion resistance and stability to heat and sunlight.
- Optional maintained stop feature operates by depressing the mushroom head pushbutton. Pushbutton must be manually pulled before start button can be actuated.
- Lockout is standard on selector switch devices.
- Factory installed dead end (N2S) or through feed (N2SC) hubs – 1/2", 3/4", and 1" sizes.
- Indicating plates are available with a choice of 40 standard markings.
- Grounding plate included with each hub.

Certifications and Compliances:

- NEC:
 - Class I, Division 2, Groups B, C & D
- NEMA: 3, 4X, 7BCD (Division 2) and 12
- UL Standard: 1203
- CSA Standard: C22.2 Nos. 14 & 30

Electrical Rating Ranges:

- Pushbutton stations and selector switches – heavy duty 600 VAC maximum
- Pilot lights – 120 to 600 VAC



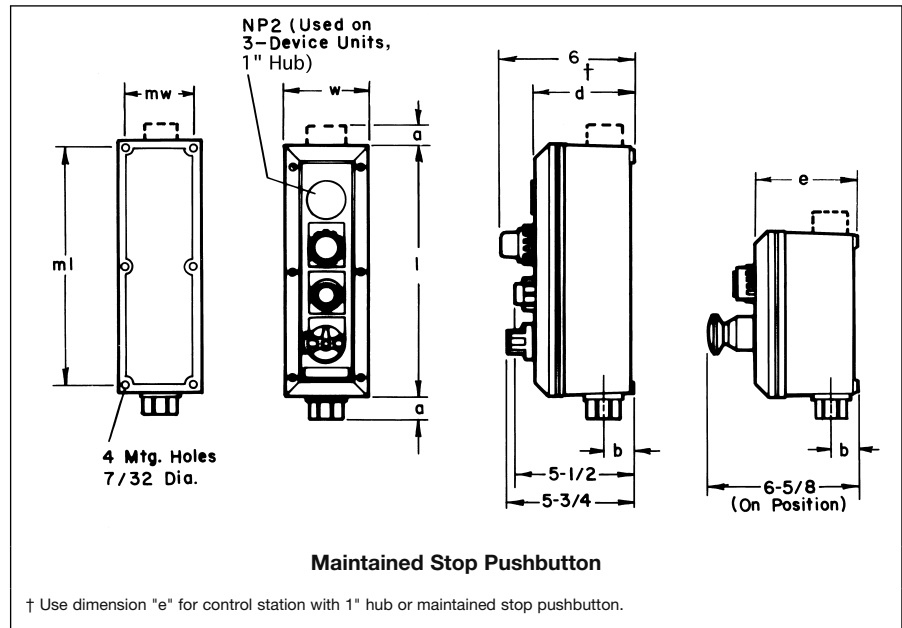
Options:

The following special options are available from factory by adding suffix to Cat. #:

Description	Suffix
Padlock attachments for all pushbuttons. For "START-STOP" stations, only "STOP" button provided with lockout (lockout standard with STOP).....	S708
Three position selector switches with modified operation:	
Momentary contact clockwise operation, spring return to center, maintained contact counterclockwise operation	S634
Momentary contact counterclockwise operation, spring return to center, maintained contact clockwise operation	S635
Control station with maintained stop pushbutton (requires NCD type enclosure):	
One maintained stop pushbutton	MSR1
Two maintained stop pushbuttons	MSR2
Maintained stop pushbuttons are installed at bottom position(s) of control station unless otherwise specified.	
LED pilot lights in place of standard incandescent pilot lamps	LED

Dimensions

In Inches:



Dimensions are approximate, not for construction purposes.

N2S(C) Body Style	Outside Dims.		(NCS)* (NCD)*		Mounting Dims.		1/2" & 3/4" Hubs		1" Hubs	
	l	w	d	e	ml	mw	a	b	a	b
1 or 2 devices	7 1/4	3 13/16	4 3/8	5 3/8	6 3/8	2 15/16	1 1/8	1 1/16	1 1/4	1 5/16
3 or 4 devices	11 3/4	3 13/16	4 3/8	5 3/8	10 7/8	2 15/16	1 1/8	1 1/16	1 1/4	1 5/16

*NCS box is supplied with units using 1/2" and 3/4" hubs. NCD box is supplied with units using 1" hubs or MSR option.
‡ NCD 4 device box used with 1" hubs or MSR option.

N2S and N2SC Series Control Stations

Factory Sealed, Corrosion-Resistant
600VAC Heavy Duty

Cl. I, Div. 2, Groups B, C, D
NEMA 3, 4X, 7BCD (Div. 2), 12
Watertight
Weatherproof
Dust-tight

4C

Ordering Information - With Pilot Lights†*

No. Units	Diagram	Volts	Enclosure with Pilot Lights 1/2" Hubs		3/4" Hubs		1" Hubs	
			Dead End Cat. #	Through Feed Cat. #	Dead End Cat. #	Through Feed Cat. #	Dead End Cat. #	Through Feed Cat. #
1		120	N2S1131 ①	N2SC1131 ①	N2S2131 ①	N2SC2131 ①	N2S3131 ①	N2SC3131 ①
		240	N2S1132 ①	N2SC1132 ①	N2S2132 ①	N2SC2132 ①	N2S3132 ①	N2SC3132 ①
		480	N2S1134 ①	N2SC1134 ①	N2S2134 ①	N2SC2134 ①	N2S3134 ①	N2SC3134 ①
		600	N2S1135 ①	N2SC1135 ①	N2S2135 ①	N2SC2135 ①	N2S3135 ①	N2SC3135 ①
2		120	N2S1231 ①	N2SC1231 ①	N2S2231 ①	N2SC2231 ①	N2S3231 ①	N2SC3231 ①
		240	N2S1232 ①	N2SC1232 ①	N2S2232 ①	N2SC2232 ①	N2S3232 ①	N2SC3232 ①
		480	N2S1234 ①	N2SC1234 ①	N2S2234 ①	N2SC2234 ①	N2S3234 ①	N2SC3234 ①
		600	N2S1235 ①	N2SC1235 ①	N2S2235 ①	N2SC2235 ①	N2S3235 ①	N2SC3235 ①
3		120	N2S1331 ①	N2SC1331 ①	N2S2331 ①	N2SC2331 ①	N2S3331 ①	N2SC3331 ①
		240	N2S1332 ①	N2SC1332 ①	N2S2332 ①	N2SC2332 ①	N2S3332 ①	N2SC3332 ①
		480	N2S1334 ①	N2SC1334 ①	N2S2334 ①	N2SC2334 ①	N2S3334 ①	N2SC3334 ①
		600	N2S1335 ①	N2SC1335 ①	N2S2335 ①	N2SC2335 ①	N2S3335 ①	N2SC3335 ①
4		120	N2S1431 ①	N2SC1431 ①	N2S2431 ①	N2SC2431 ①	N2S3431 ①	N2SC3431 ①
		240	N2S1432 ①	N2SC1432 ①	N2S2432 ①	N2SC2432 ①	N2S3432 ①	N2SC3432 ①
		480	N2S1434 ①	N2SC1434 ①	N2S2434 ①	N2SC2434 ①	N2S3434 ①	N2SC3434 ①
		600	N2S1435 ①	N2SC1435 ①	N2S2435 ①	N2SC2435 ①	N2S3435 ①	N2SC3435 ①

Ordering Information - With Selector Switches

Style	Switch Position			Marking Unless Otherwise Specified	Enclosure With Selector Switch		
	1	2	3		Hub Size	Dead End Cat. #	Through Feed Cat. #
Two-Position, Two-Circuit	A1 A2			START-STOP (or Specify)	1/2 3/4 1	N2S1121 ② N2S2121 ② N2S3121 ②	N2SC1121 ② N2SC2121 ② N2SC3121 ②
Two-Position, Four-Circuit	A1 A2 B1 B2			START-STOP (or Specify)	1/2 3/4 1	N2S1122 ② N2S2122 ② N2S3122 ②	N2SC1122 ② N2SC2122 ② N2SC3122 ②
Three-Position, Two-Circuit †	A1 A2			Specify	1/2 3/4 1	N2S1123 ② N2S2123 ② N2S3123 ②	N2SC1123 ② N2SC2123 ② N2SC3123 ②
Three-Position, Four-Circuit †	A1 A2 B1 B2			Specify	1/2 3/4 1	N2S1124 ② N2S2124 ② N2S3124 ②	N2SC1124 ② N2SC2124 ② N2SC3124 ②
Three-Position, Four-Circuit †	A1 A2 B1 B2			Specify	1/2 3/4 1	N2S1125 ② N2S2125 ② N2S3125 ②	N2SC1125 ② N2SC2125 ② N2SC3125 ②

① Specify lens color for each pilot light. As an example, N2S1231 with one red and one green would be ordered as N2S1231-J1-J3.

Color	Symbol	Color	Symbol
Red	J1	Clear	J10
Green	J3	Blue	J11
Amber	J6		

② If desired, markings on indicating plates may be added to catalog number. Select from the list of standard markings below:

Marking

Pushbuttons:	REVERSE	Selector Switches – Two-Position:	Selector Switches – Three-Position:
START	OPEN		
STOP	CLOSE	RUN-JOG	RUN-OFF-JOG
ON	UP	HAND-AUTO	HAND-OFF-AUTO
OFF	DOWN	FOR-REV	FOR-OFF-REV
RUN	IN	FAST-SLOW	FAST-OFF-SLOW
JOG	OUT	OPEN-CLOSE	1-OFF-2
TRIP	RAISE	UP-DOWN	OPEN-OFF-CLOSE
RESET	LOWER	ON-OFF	UP-OFF-DOWN
TEST		IN-OUT	
LIGHT ON		RAISE-LOWER	
HAND		START-STOP	
AUTOMATIC			
EMERGENCY			
FORWARD			

† Pilot lights are transformer type except those rated 120 volts. Lamp type is 120MB, 120 volts, 3 watts.

* LED pilot lights are available. Add suffix LED after last color symbol. See Options Sections for more information.

† Suffixes S634 or S635 may be used on these catalog numbers. See explanation in Options section.

Crouse-Hinds

by **EATON**

www.crouse-hinds.com US: 1-866-764-5454 CAN: 1-800-265-0502 Copyright© 2013 Eaton's Crouse-Hinds Business

545

4C

N2S and N2SC Series Control Stations

Factory Sealed, Corrosion-Resistant
600VAC Heavy Duty

Cl. I, Div. 2, Groups B, C, D
NEMA 3, 4X, 7BCD (Div. 2), 12
Watertight
Weatherproof
Dust-tight

Ordering Information - With Pushbuttons – Momentary Contact

No. Units	Contact Symbol	Marking Unless Otherwise Specified	Enclosure with Pushbuttons		
			Hub Size	Dead End Cat. #	Through Feed Cat. #
1		START (or Specify)	1/2 3/4 1	N2S1110 ② N2S2110 ② N2S3110 ②	N2SC1110 ② N2SC2110 ② N2SC3110 ②
2		START-STOP (or Specify)	1/2 3/4 1	N2S1210 ② N2S2210 ② N2S3210 ②	N2SC1210 ② N2SC2210 ② N2SC3210 ②
3		Specify	1/2 3/4 1	N2S1310 ② N2S2310 ② N2S3310 ②	N2SC1310 ② N2SC2310 ② N2SC3310 ②
4		Specify	1/2 3/4 1	N2S1410 ② N2S2410 ② N2S3410 ②	N2SC1410 ② N2SC2410 ② N2SC3410 ②

Ordering Information - Combination Control Stations

Pilot Lights*	Pushbuttons	Diagram	Markings	Enclosure With Pushbuttons and Pilot Lights						
				Hub Size	Volts	Dead End Cat. #	Through Feed Cat. #	Volts	Dead End Cat. #	Through Feed Cat. #
1	1		Specify	1/2	120	N2S12411 ①②	N2SC12411 ①②	480	N2S12414 ①②	N2SC12414 ①②
				3/4		N2S22411 ①②	N2SC22411 ①②		N2S22414 ①②	N2SC22414 ①②
				1		N2S32411 ①②	N2SC32411 ①②		N2S32414 ①②	N2SC32414 ①②
1	2		Specify	1/2	120	N2S13421 ①②	N2SC13421 ①②	480	N2S13424 ①②	N2SC13424 ①②
				3/4		N2S23421 ①②	N2SC23421 ①②		N2S23424 ①②	N2SC23424 ①②
				1		N2S33421 ①②	N2SC33421 ①②		N2S33424 ①②	N2SC33424 ①②
1	1		Specify	1/2	240	N2S12412 ①②	N2SC12412 ①②	600	N2S12415 ①②	N2SC12415 ①②
				3/4		N2S22412 ①②	N2SC22412 ①②		N2S22415 ①②	N2SC22415 ①②
				1		N2S32412 ①②	N2SC32412 ①②		N2S32415 ①②	N2SC32415 ①②
2	1		Specify	1/2	120	N2S13411 ①②	N2SC13411 ①②	480	N2S13414 ①②	N2SC13414 ①②
				3/4		N2S23411 ①②	N2SC23411 ①②		N2S23414 ①②	N2SC23414 ①②
				1		N2S33411 ①②	N2SC33411 ①②		N2S33414 ①②	N2SC33414 ①②
2	2		Specify	1/2	240	N2S13412 ①②	N2SC13412 ①②	600	N2S13415 ①②	N2SC13415 ①②
				3/4		N2S23412 ①②	N2SC23412 ①②		N2S23415 ①②	N2SC23415 ①②
				1		N2S33412 ①②	N2SC33412 ①②		N2S33415 ①②	N2SC33415 ①②
2	2		Specify	1/2	120	N2S14421 ①②	N2SC14421 ①②	480	N2S14424 ①②	N2SC14424 ①②
				3/4		N2S24421 ①②	N2SC24421 ①②		N2S24424 ①②	N2SC24424 ①②
				1		N2S34421 ①②	N2SC34421 ①②		N2S34424 ①②	N2SC34424 ①②
2	2		Specify	1/2	240	N2S14422 ①②	N2SC14422 ①②	600	N2S14425 ①②	N2SC14425 ①②
				3/4		N2S24422 ①②	N2SC24422 ①②		N2S24425 ①②	N2SC24425 ①②
				1		N2S34422 ①②	N2SC34422 ①②		N2S34425 ①②	N2SC34425 ①②

① See pages 545-547

② See pages 545-547

‡ Pilot lights are transformer type except those rated 120 volts. Lamp type is 120MB, 120 volts, 3 watts.


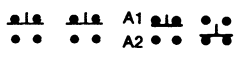

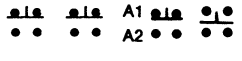
N2S and N2SC Series Control Stations

Factory Sealed, Corrosion-Resistant
600VAC Heavy Duty

Cl. I, Div. 2, Groups B, C, D
NEMA 3, 4X, 7BCD (Div. 2), 12
Watertight
Weatherproof
Dust-tight

4C

Ordering Information - Combination Control Stations

Pilot Lights* ‡	Push buttons	Selector Switches Position No. †			Markings	Enclosure With Pilot Light, Pushbuttons and Selector Switch						
		1	2	3		Hub Size	Volts	Dead End Cat. #	Through Feed Cat. #	Volts	Dead End Cat. #	Through Feed Cat. #
		2-Pos, 2-Cct			Specify	1/2		N2S145211 ①②	N2SC145211 ①②		N2S145214 ①②	N2SC145214 ①②
		3/4	120	N2S245211 ①②		N2SC245211 ①②	480	N2S245214 ①②	N2SC245214 ①②			
		1		N2S345211 ①②		N2SC345211 ①②		N2S345214 ①②	N2SC345214 ①②			
		1/2		N2S145212 ①②		N2SC145212 ①②		N2S145215 ①②	N2SC145215 ①②			
		3/4	240	N2S245212 ①②		N2SC245212 ①②	600	N2S245215 ①②	N2SC245215 ①②			
		1		N2S345212 ①②		N2SC345212 ①②		N2S345215 ①②	N2SC345215 ①②			
		3-Pos, 2-Cct			Specify	1/2		N2S145231 ①②	N2SC145231 ①②		N2S145234 ①②	N2SC145234 ①②
		3/4	120	N2S245231 ①②		N2SC245231 ①②	480	N2S245234 ①②	N2SC245234 ①②			
		1		N2S345231 ①②		N2SC345231 ①②		N2S345234 ①②	N2SC345234 ①②			
		1/2		N2S145232 ①②		N2SC145232 ①②		N2S145235 ①②	N2SC145235 ①②			
		3/4	240	N2S245232 ①②		N2SC245232 ①②	600	N2S245235 ①②	N2SC245235 ①②			
		1		N2S345232 ①②		N2SC345232 ①②		N2S345235 ①②	N2SC345235 ①②			

① Specify lens color for each pilot light. As an example, N2S1231 with one red and one green would be ordered as N2S1231-J1-J3.

Color	Symbol	Color	Symbol
Red	J1	Clear	J10
Green	J3	Blue	J11
Amber	J6		

② If desired, markings on indicating plates may be added to catalog number. Select from the list of standard markings below:

Marking			
Pushbuttons:	REVERSE	Selector Switches – Two-Position:	Selector Switches – Three-Position:
START	OPEN		
STOP	CLOSE	RUN-JOG	RUN-OFF-JOG
ON	UP	HAND-AUTO	HAND-OFF-AUTO
OFF	DOWN	FOR-REV	FOR-OFF-REV
RUN	IN	FAST-SLOW	FAST-OFF-SLOW
JOG	OUT	OPEN-CLOSE	1-OFF-2
TRIP	RAISE	UP-DOWN	OPEN-OFF-CLOSE
RESET	LOWER	ON-OFF	UP-OFF-DOWN
TEST		IN-OUT	
LIGHT ON		RAISE-LOWER	
HAND		START-STOP	
AUTOMATIC			
EMERGENCY			
FORWARD			

‡ Pilot lights are transformer type except those rated 120 volts. Lamp type is 120MB, 120 volts, 3 watts.

* LED pilot lights are available. Add suffix LED after last color symbol. See Options Sections for more information.

† Suffixes S634 or S635 may be used on these catalog numbers. See explanation in Options section.

4C

N2S and N2SC Series Control Stations

**Factory Sealed, Corrosion-Resistant
600VAC Heavy Duty**

Cl. I, Div. 2, Groups B, C, D
NEMA 3, 4X, 7BCD (Div. 2), 12
Watertight
Weatherproof
Dust-tight

Ordering Information - Custom-Built, Factory Assembled Control Stations

To order your custom-built factory assembled control station, select the enclosure required and add the desired devices from listings below. Custom-built factory assembled control stations may thus be ordered as follows:

Requirements:

3-device control station on Krydon® material enclosure with 3/4" through feed hubs, with 1 pilot light with green jewel, rated at 120V; 1 three position, two circuit selector switch marked HAND-OFF-AUTO; and 1 green single circuit pushbutton marked START.

4C

ORDER:

- NCDC23FA
- N2P310-J3
- N2SW11311-HAND-OFF-AUTO
- N2PS1111G-START

Pilot light jewel symbol, pushbutton and selector switch plate markings are selected from footnote tables. Suffix FA indicates factory assembled.

Note that order of assembly of control stations should be listed in desired mounting order, reading from top to bottom of enclosure.

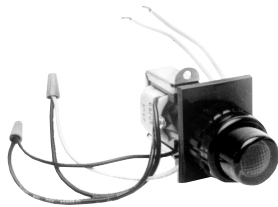
Enclosures (NCD or NCDC enclosures must be used with MSR1 or MSR2)

No. of Devices	Without Hubs Cat. #	With One Hub 1/2" Cat. #	With Two Hub 1/2" Cat. #	With One Hub 3/4" Cat. #	With Two Hub 3/4" Cat. #	With One Hub 1" Cat. #	With Two Hub 1" Cat. #
1	NCD01	NCD11	NCDC11	NCD21	NCDC21	NCD31	NCDC31
2	NCD02	NCD12	NCDC12	NCD22	NCDC22	NCD32	NCDC32
3	NCD03	NCD13	NCDC13	NCD23	NCDC23	NCD33	NCDC33
4	NCD04	NCD14	NCDC14	NCD24	NCDC24	NCD34	NCDC34

No. of Devices	Without Hubs Cat. #	With One Hub (3/4") Cat. #	With Two Hub (3/4") Cat. #	With One Hub (1/2") Cat. #	With Two Hub (1/2") Cat. #
1	NCS01	NCS21	NCSC21	NCS11	NCSC11
2	NCS02	NCS22	NCSC22	NCS12	NCSC12
3	NCS03	NCS23	NCSC23	NCS13	NCSC13
4	NCS04	NCS24	NCSC24	NCS14	NCSC14

Pilot Lights†* Transformer Type

Volts	Cat. #
120	N2PL10 ①
240	N2PL20 ①
480	N2PL40 ①
600	N2PL50 ①



Pilot lights to be used in N2SU Series:

- Red **N2PLU10 J1 LED**
- Green **N2PLU10 J3 LED**
- Amber **N2PLU10 J6 LED**
- Clear **N2PLU10 J10 LED**
- Blue **N2PLU10 J11 LED**

① Specify lens color for each pilot light using symbols below.

Color	Symbol	Color	Symbol
Red	J1	Clear	J10
Green	J3	Blue	J11
Amber	J6		

† Pilot lights are transformer type except those rated 120 volts. Lamp type is 120MB, 120 volts, 3 watts.
* LED pilot lights are available. Add suffix LED after last color symbol. See Options Sections for more information.

N2S and N2SC Series Control Stations

**Factory Sealed, Corrosion-Resistant
600VAC Heavy Duty**

Cl. I, Div. 2, Groups B, C, D
NEMA 3, 4X, 7BCD (Div. 2), 12
Watertight
Weatherproof
Dust-tight

4C

Pushbutton Stations – Momentary Contact

Color of Operator	1 Circuit		2 Circuit	
	Contact Symbol	Universal Cat. #	Contact Symbol	Universal Cat. #
Natural		N2PS1111 ②		N2PS1211 ②
Red		N2PS1111R ②		N2PS1211R ②
Green		N2PS1111G ②		N2PS1211G ②



Closure Plug



Description	Cat. #
Closure Plug	NP2

Pushbutton Stations – Maintained Contact

Color of Operator	1 Circuit	
	Contact Symbol	Universal Cat. #
Red Mushroom Head		N2PM1111 S111 ②

Selector Switches

Style	Position	Position 2	Position 3	Cat. #
Two Position Two Circuit	A1			N2SW11211 ②
	A2			
Two Position Four Circuit	A1			N2SW12221 ②
	A2			
	B1			
	B2			
Three Position Two Circuit †	A1			N2SW11311 ②
	A2			
Three Position Four Circuit †	A1			N2SW12321 ②
	A2			
	B1			
	B2			
Three Position Four Circuit †	A1			N2SW12322 ②
	A2			
	B1			
	B2			

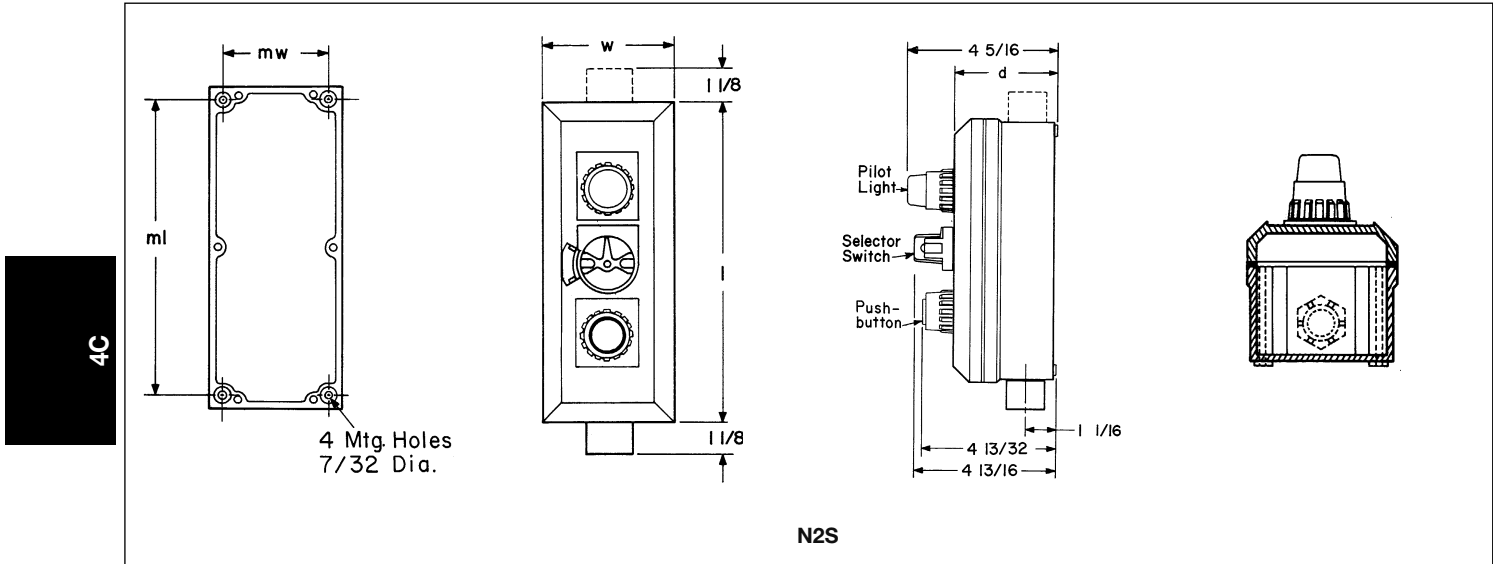


② If desired, markings on indicating plates may be added to catalog number. Select from the list of standard markings below:

Marking

Pushbuttons:	Selector Switches –	Selector Switches –
START	REVERSE	Two-Positions:
STOP	OPEN	RUN-JOG
ON	CLOSE	HAND-AUTO
OFF	UP	FOR-REV
RUN	DOWN	FAST-SLOW
JOG	IN	OPEN-CLOSE
TRIP	OUT	UP-DOWN
RESET	RAISE	ON-OFF
TEST	LOWER	IN-OUT
LIGHT ON		RAISE-LOWER
HAND		START-STOP
AUTOMATIC		
EMERGENCY		
FORWARD		
		Three-Position:
		RUN-OFF-JOG
		HAND-OFF-AUTO
		FOR-OFF-REV
		FAST-OFF-SLOW
		1-OFF-2
		OPEN-OFF-CLOSE
		UP-OFF-DOWN

† Suffixes S634 or S635 may be used on these catalog numbers. See explanation in Options section.

4C**N2S and N2SC Series
Control Stations****Factory Sealed, Corrosion-Resistant
600VAC Heavy Duty**Cl. I, Div. 2, Groups B, C, D
NEMA 3, 4X, 7BCD (Div. 2), 12
Watertight
Weatherproof
Dust-tight**Dimensions
In Inches:**

For 1/2" and 3/4" hub sizes (for 1" hub and/or MSR option, see page 544).

NCS(C) Body Style	Outside Dimensions			Mounting Dimensions	
	l	w	d	ml	mw
1 device	7 1/4	3 13/16	4 3/8	6 3/8	2 15/16
2 devices	7 1/4	3 13/16	4 3/8	6 3/8	2 15/16
3 devices	9 1/2	3 13/16	4 3/8	8 3/8	2 15/16
4 devices	11 3/4	3 13/16	4 3/8	10 7/8	2 15/16